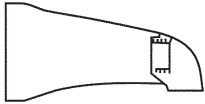


TUB & SHOWER REPAIRS/ACCESSORIES

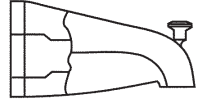
TUB SPOUT TYPES



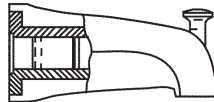
THREADED NOSE END CONNECTION



THREADED WALL END CONNECTION



SLIDE CONNECTION FITS OVER 5/8" OD COPPER 1-3/4" ADJ. TEL.



THREADED WALL END 1" ADJUSTABLE TELESCOPING

TUB FILLER SPOUTS

PART #	DESCRIPTION
79993006	5-1/2" spout connects to 1/2" IPS at nose end.
79213038	Connects to 1/2" IPS at nose end. Solid Brass
79993008	Connects to 3/4" or 1/2" at nose end.
79993010	Slide Connects to 1/2" CWT at wall end.
79213040	Connects to 1/2" IPS at wall end. Solid Brass
79993011	Connects to 3/4" or 1/2" IPS at wall end. 1" adjustable telescoping.
79993034	Connects to 1/2" IPS at nose end. Polished Brass finish.
79993112	Connects to 1/2" IPS at nose end. White.
79993115	Connects to 1/2" IPS at nose end. Satin nickel.
79993035	Connects to 1/2" IPS at nose end. Antique Brass finish.



DIVERTER SPOUTS – NOSE END CONNECTION

Connects to 1/2" IPS

PART #	DESCRIPTION	PART #	DESCRIPTION
79993018	Chrome	79993212	White/gold
79993202	PVD – polished brass	79993215	Satin nickel
79993204	White		
79993210	Chrome/gold		
79990158	Same as 79993018 with 4-in-1 kit		



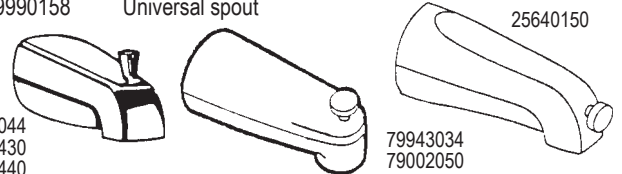
TUB FILLER & DIVERTER LONG SPOUTS

PART #	DESCRIPTION	PART #	DESCRIPTION
79993002	7" spout connects 1/2" IPS at nose end.		
79993004	7" div. spout connects 1/2" IPS at nose end.	79993024	
79993024	8-1/2" filler spout. Connects to 3/4" or 1/2" IPS at wall end.		
79993022	8-3/8" diverter spout. Connects to 3/4" or 1/2" IPS at nose end.		
79993025	10-1/8" diverter spout. Connects to 3/4" or 1/2" IPS at nose end.	79993022 79993025	



SPECIAL APPLICATION DIVERTER SPOUTS

PART #	DESCRIPTION
25640150	Mixet diverter spout. 1/2" CWT at wall end.
05221430	Delta diverter spout. 1/2" SWT with adapter.
05221435	Delta, 1/2" ID, 1/2" CWT
05221440	Delta diverter spout. 1/2" CWT slip-on
79943034	Speakman diverter spout. 1/2" IPS at nose end.
79002050	Speakman diverter spout. 3/4" IPS at nose end.
79990158	Universal spout



DIVERTER SPOUTS-WALL END CONNECTION

PART #	DESCRIPTION
79993012	Connects to 1/2" IPS at wall end.
79993013	Connects to 3/4" or 1/2" IPS at wall end.
79993030	Same as 79993013. Polished Brass finish.
79993014	Connects to 3/4" or 1/2" IPS at wall end. Has 1/2" IPS top adapter for hand held shower.
79993016	Connects to 3/4" or 1/2" IPS at wall end. Has 3/8" IPS top swivel nut.
79993019	Slide connects to 1/2" CWT at wall end.
79993220	Same as 79993019. Chrome/gold.
79993222	Same as 79993019. White/gold.
79993028	Same as 79993019. Antique Brass finish.
79993020	Connects to 3/4" or 1/2" IPS at wall end. 1" adjustable telescoping. Chrome.
79993017	1/2" IPS bottom adapter for hand held shower
79003036	Solid brass diverter, 3/4" wall end connection



79993014



79993012
79993013
79993030



79993016



79993019
79993020
79993028

79163044
05221430
05221440

TUB SPOUT TO WALL SPACER/TRIM

Eliminates gap PLUS covers ring from previous installation

PART #	DESCRIPTION
79994018	Brass chrome plated
79994019	Polished brass finish



REPAIR KITS & ACCESSORIES

PART #	DESCRIPTION
79163010	Brass bushing 1/2" x 3/8"
79992024	Brass bushing 3/4" x 1/2"
79992026	Plastic bushing 3/4" x 1/2"
79002055	Repair Kit for 79943034 & 79002050 spout
79993036	Diverter spout repair kit (zinc/plastic)
79202028	Clamping screw – used on 79993019 and other slide connect spout.
25640100	Copper water tube retainer clip.
79994018	Spout trim ring
79990518	Universal spout
79991400	4-in-1 tub spout attachment kit
79991407	Same as 79991400 for 7" spouts

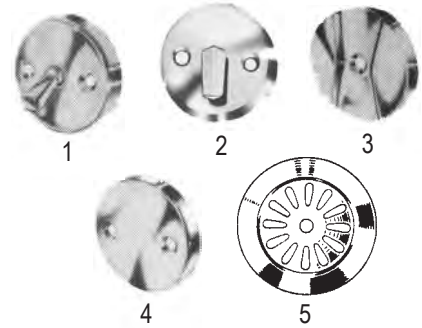


INTERNET INQUIRIES AND ORDERS CALL US TOLL FREE 877-258-2572
www.plumbingspecialties.com

TUB & SHOWER REPAIRS/ACCESSORIES

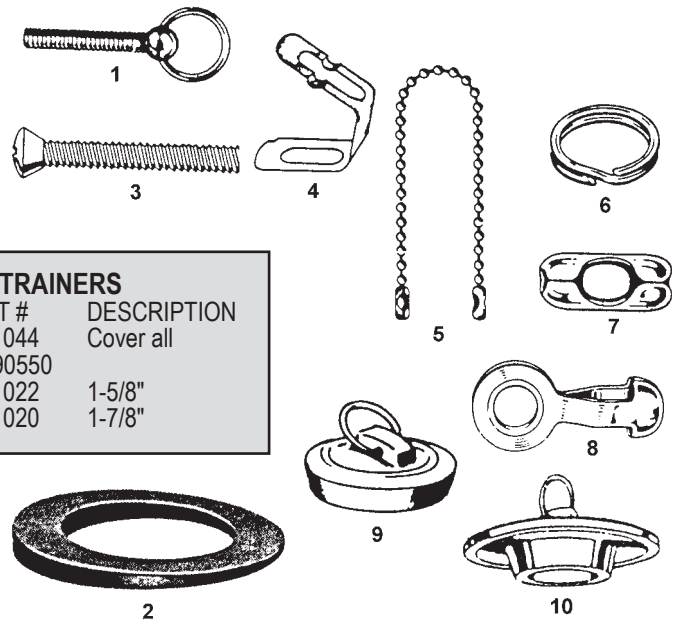
BATH WASTE & OVERFLOW PLATES

ITEM	PART #	DESCRIPTION
1	79732002	Overflow plate w/Square handle with screws
	79992009	Same as 79732002 – Antique Brass
	79992011	Same as 79732002 – Polished Brass
	79732004	Overflow plate with square handle less screws
2	79992010	Overflow plate with serrated safety handle – chrome
	79992106	Overflow plate with serrated safety handle – white
	79992102	Overflow plate with serrated safety handle – chrome/gold
	79992104	Overflow plate with serrated safety handle – white/gold
3	79992016	Overflow plate for use with stopper & chain – chrome
	79992329	Overflow plate for use with stopper & chain – PVD
4	79992015	Overflow plate for use with lift & turn or Tip-Toe stopper – satin nickel
	79992018	Overflow plate for use with lift & turn or Tip-Toe stopper – chrome
	79992017	Same as 79992018 – Antique Brass
	79992019	Same as 79992018 – Polished Brass
5	47161002	Overflow strainer plate 3-1/8" with chain & stopper



WASTE & OVERFLOW ACCESSORIES

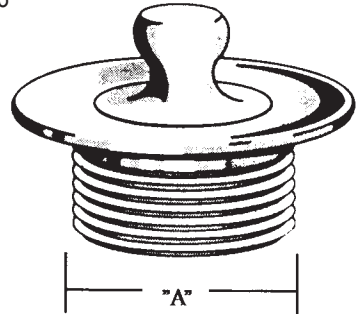
ITEM	PART #	DESCRIPTION
1	79162021	1-3/4" Waste & Overflow bolt w/ring
2	44735002	3" OD x 1-7/8" ID beveled Waste & Overflow washer
	44735004	3-3/16" x 2-3/8" ID beveled Waste & Overflow washer
	44735006	2-5/8" OD x 1-3/4" ID flat Waste & Overflow washer
	44735008	3-3/16" OD x 2-1/8" ID beveled sponge rubber W&O washer
3	79992020	1-1/2" CP slotted drive oval head W&O plate screw
	79992021	P/B 1/4 x 1" W&O plate screw
4	79992022	Spring clip for waste & overflow
5	44000100	11" Bead Chain with B couplings
	44000110	15" Bead Chain with B couplings
6	44000140	Basin plug ring, double wire 3/4"
7	44000130	"B" Coupling
8	44000120	"A" Coupling
9	44586002	1" Bath & Basin stopper-white rubber
	44586004	1-1/8" Bath & Basin stopper-white rubber
	44586006	1-1/4" Bath & Basin stopper-white rubber
	44586008	1-3/8" Bath & Basin stopper-white rubber
	44586010	1-1/2" Bath & Basin stopper-white rubber
	44586012	1-5/8" Bath & Basin stopper-white rubber
	44586014	1-3/4" Bath & Basin stopper-white rubber
	44586016	2" Bath & Basin stopper-white rubber
10	44166006	1-1/2" to 2" Fit-All Bath stopper-white rubber



TUB STRAINERS	
PART #	DESCRIPTION
47001044	Cover all
or 07290550	
47161022	1-5/8"
47161020	1-7/8"

LIFT & TURN STOPPER ASSEMBLIES

PART #	THRD/INCH	"A" DIA.	STOPPER SEAL TYPE	WHERE USED
47002003	16	1-5/8"	Ground Joint	Am. Std. 70376-02, Crane 279, Rapid Fit SK-102, Sterling A8083, U/B 3312
47002004	11-1/2(1-1/2NPS)	1-7/8"	Ground Joint	Am. Std. 72196-02, 28287-02, Gerber 97-180, P/P 972-571, Speakman 21-0162
47002005	16 (1-1/2" Fine)	1-13/16"	Ground Joint	Central Brass 3036A, Union Brass P30373
47002006	14(1-1/4"Coarse)	1-5/8"	Ground Joint	Briggs BR-35, Sayco K-1502, K-1504
47002007	14(1-1/2"Coarse)	1-13/16"	Ground Joint	Crane F2863
47002008	16 (2" Fine)	2-1/8"	O-Ring	Kohler 29060
47002011	14	1-15/16"	O-Ring	Eljer 1765, Speakman 21-0126
47002207	Same as 47002003 – PVD			
47002206	Same as 47002004 – PVD			



STOPPERS ONLY

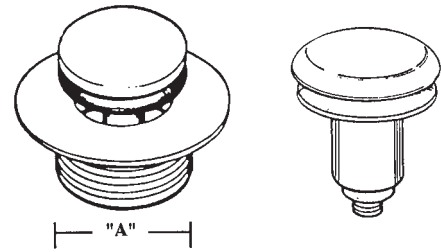
PART #	DESCRIPTION
47002018	Stopper only for 47002004
47002010	Stopper only for 47002008
47002012	Stopper only for 47002011

INTERNET INQUIRIES AND ORDERS CALL US TOLL FREE 877-258-2572
www.plumbingspecialties.com

TUB & SHOWER REPAIRS/ACCESSORIES

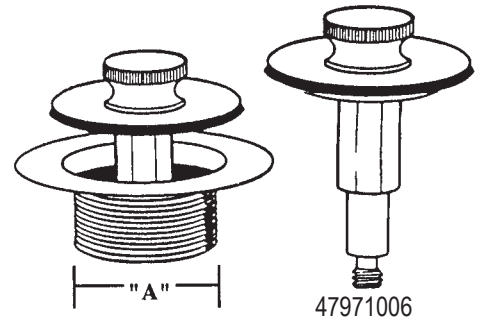
TIP TOE STOPPER ASSEMBLIES

PART #	THRD/INCH	"A" DIA.	DESCRIPTION
47002009	11-1/2 (1-1/2 NPS)	1-7/8"	Sterling Toe Control
16000380			Cartridge only for 47002009 Stopper
47002008	16	1-3/8"	Rapid Fit
47002010			Cartridge only for 47001008 Stopper
47002016	11-1/2 (1-1/2 NPS)	1-7/8"	Rapid Fit
47002012			Cartridge only for 47002016 Stopper



PUSH-PULL STOPPER ASSEMBLIES

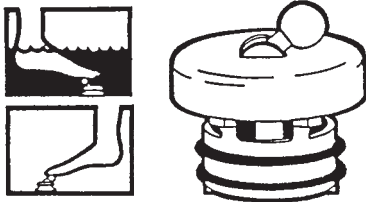
PART #	THRD/INCH	"A" DIA.	WHERE USED
47971002	14	1-5/8"	Briggs and Sayco
47971004	16 (Fine)	1-5/8"	American Standard*, American Brass, Crane Riviera, Central Brass, Eljer*, Indiana Brass*, Price Pfister*, Savoy, Speakman, Sterling*
47971008	11-1/2 (1-1/2 NPS)	1-7/8"	American Standard*, Central Brass*, Gerber, Kohler*, Price Pfister*, Rapid Fit, Sterling*



*-Fits some models

"FLIP-IT" REPLACEMENT TUB STOPPER INSERT

The stopper can be installed in seconds and fits almost all tub drains. Constructed of durable chrome plated plastic. 1-1/2" cylinder. Comes with 4 sets of O-Rings and instructional label for the tub or tile. PART # 47002017



TUB DRAIN BUSHINGS & INSERTS

Converts from 1.6"-16 to:

1.865"-11.5 (1-1/2")	PART # 47002101
1.8" - 14	PART # 47002102
1.8" - 16	PART # 47002103
1.9" - 14	PART # 47002104
2.11" - 16	PART # 47002105

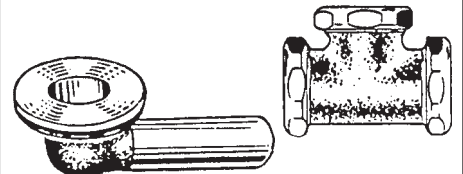
Converts from 1.375" - 16 to:

1.625" - 16	PART # 47002111
1.625" - 14	PART # 47002112



WASTE & OVERFLOW PARTS

PART #	DESCRIPTION
47162002	1-3/8" Waste & Overflow shoe unfinished
47162004	1-1/2" Waste & Overflow shoe unfinished
44671016	1-1/2" Waste & Overflow 3-Way slip tee unfinished
44735006	Washer for shoe plug

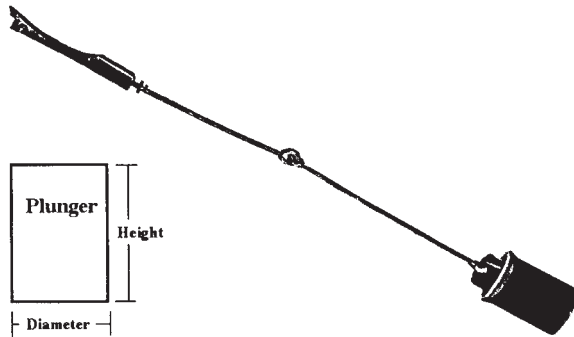


UNIVERSAL REPLACEMENT BATH LINKAGE

Replaces many OEM linkages. Adjustable linkage, height of plunger is 1-3/4" and the diameter is 1-1/4".

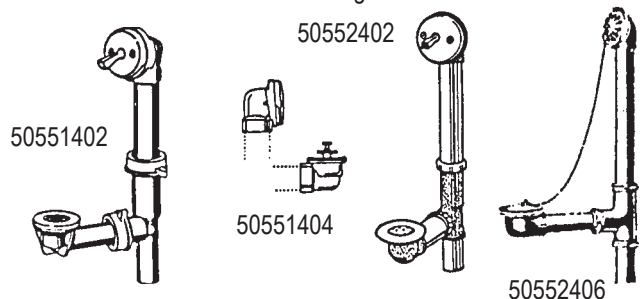
PART # 47002036 (Includes o-rings)

PART # 47002040



BATH WASTE & OVERFLOWS

PART #	DESCRIPTION
50551402	1-1/2" PVC trip lever waste
50551404	1-1/2" Sch. 40 PVC half waste
50552402	1-1/2" 20 GA. trip lever waste
50551450	1-1/2" 17 GA. trip lever waste
50552406	1-3/8" W & O for leg tub

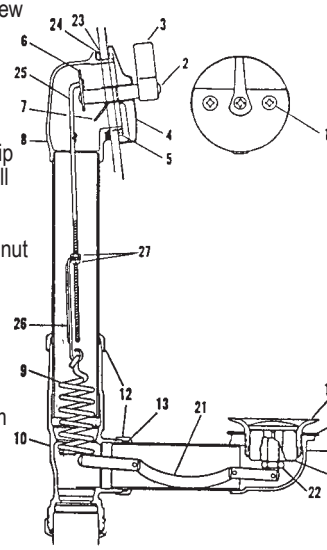


INTERNET INQUIRIES AND ORDERS CALL US TOLL FREE 877-258-2572
www.plumbingspecialties.com

TUB & SHOWER REPAIRS/ACCESSORIES

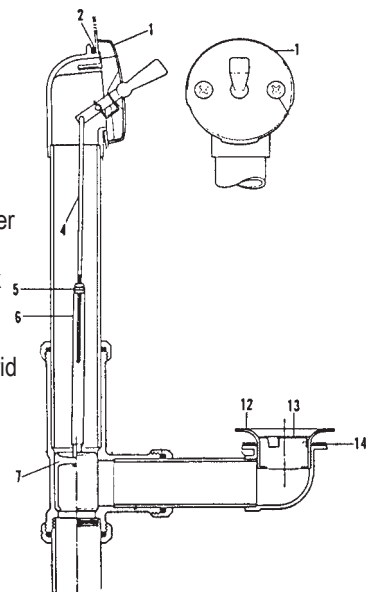
AMERICAN STANDARD MULTI-FIT (HERITAGE)

ITEM	PART #	DESCRIPTION
1	79992020	Face plate screw
2	42720110	Handle screw
3	01893650	Handle
4	01893130	Face plate
5	01893640	Retaining nut
6	01893660	Crank
7	01893140	Retainer clip
8		Overflow Ell
9	01893760	Striker
10		Tee
12	44732510	1-1/2" S.J. nut
13	44583004	1-1/2" S.J. washer
17		Drain Ell
18	44735006	Gasket
19	01893675	Plug
20	01893670	Plunger
21	01890630	Rocker Arm
22	01891010	Locknut
23	01892620	Overflow gasket
24	01890120	Overflow gasket
25	01893762	Upper link
26	01893620	Middle link
27	01893360	Nut



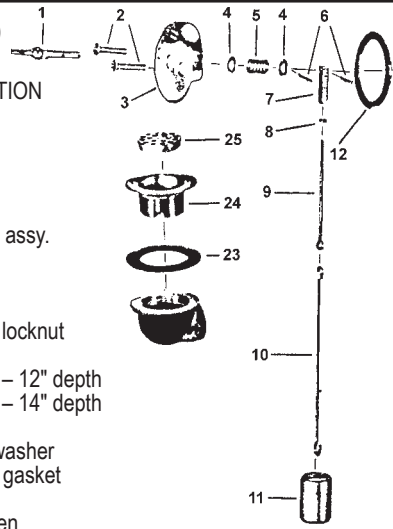
AMERICAN STANDARD MULTI-FLEX

ITEM	PART #	DESCRIPTION
1	79732004	Face plate assembly
	79992022	Clip for face plate
2	01892620	Overflow gasket
4	01893400	Upper link
5	01893360	Lockwasher nut
6	01893391	Middle link
7	01892630	Seal plug
12	01893494	Drain plug
13	01893389	Strainer grid
14	01893430	Drain plug washer



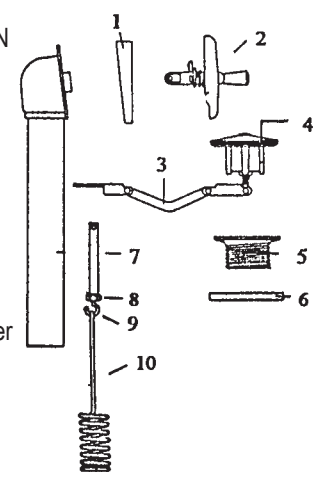
AMERICAN STANDARD MULTI-FIT (COLONY)

ITEM	PART #	DESCRIPTION
1		Lever
2	79992020	Face plate screw
3		Face plate
4		Washer
1-4	79732002	Face plate assy.
5	01890770	Spring
6	01893690	Cotter pin
7	01893688	Clevis
8	01893700	Upper link locknut
9	01893680	Upper link
10	01893610	Lower link - 12" depth
	01893630	Lower link - 14" depth
11	01892630	Plunger
12	44735004	Overflow washer
23	44735006	Drain plug gasket
24	01892253	Drain plug
25	01893705	Snap screen



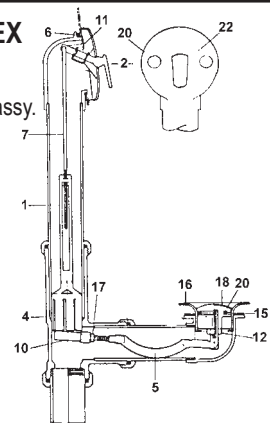
CENTRAL BRASS

ITEM	PART #	DESCRIPTION
1	44735008	Face plate washer
2	79732002	Face plate with screws
3	02150210	Rocker arm
4	02151140	Strainer plug
3-4	02151130	Plug & linkage assy.
5	02151150	Strainer body
6	02150930	Strainer washer
7	02150155	Clevis
8	02150984	Nut
9	02150214	Link
10	02150211	Spring
7-10	02150212	Striker assy.



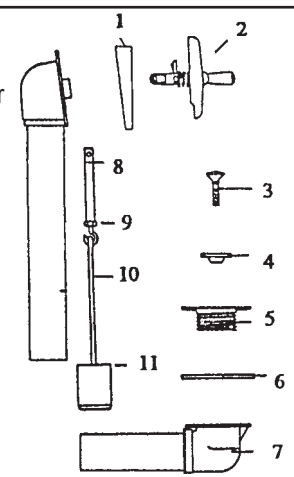
AMERICAN STANDARD MULTI-FLEX

ITEM	PART #	DESCRIPTION
1	01893435	Striker
2	79992008	Lever & escutcheon assy.
5	01893350	Rocker S/A
6	01892620	Overflow gasket
7	01893400	Upper link
10	01893380	Rocker tip
11	79992022	Clip
12	01893410	Jam nut
15	01893430	Drain Ell washer
16	01893392	Drain plug
17	01893420	Locknut
18	01893370	Stopper S/A
20	79992020	Face plate screw
21	01893390	Stopper gasket



CENTRAL BRASS

ITEM	PART #	DESCRIPTION
1	44735008	Face plate washer
2	79732002	Face plate with screws
3	02150480	Strainer screw
4	02150470	Strainer
5	02150460	Strainer body
6	02150482	Strainer washer
3-6	02150450	Strainer assy.
7	02151110	Shoe assy.
8	02150155	Clevis
9	02150984	Nut
10		Link
11	02151112	Plunger
8-11	02150154	Plunger assy.

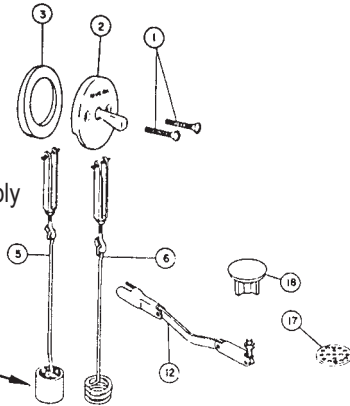


INTERNET INQUIRIES AND ORDERS CALL US TOLL FREE 877-258-2572
www.plumbingspecialties.com

TUB & SHOWER REPAIRS/ACCESSORIES

CRANE RIVIERA

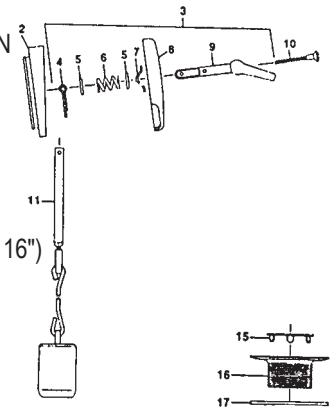
ITEM	PART #	DESCRIPTION
1	79992020	Face plate screw
2	79732004	Face plate
3	44735008	Overflow gasket
5	04892520	Lift assembly
6	04892522	Lift assembly
12	04892540	Link assembly
17	04891040	Strainer
18	04891000	Stopper



* Note new style plunger uses 41001014 O-ring

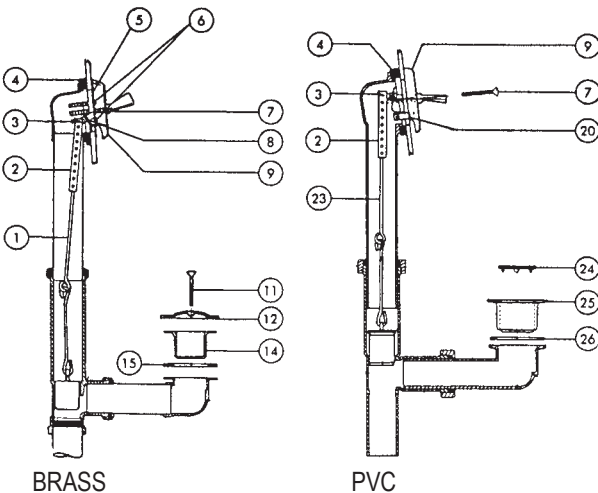
ELJER LUSTRA & REGATA

ITEM	PART #	DESCRIPTION
2	44735008	Overflow gasket
3	79732004	Face plate
10	79992020	Face plate screw
11	06890322	Plunger & linkage (14" & 16")
	06890388	Plunger & linkage (12")
15	06890495	Strainer top
16	06890494	Strainer body
17	44735006	Gasket



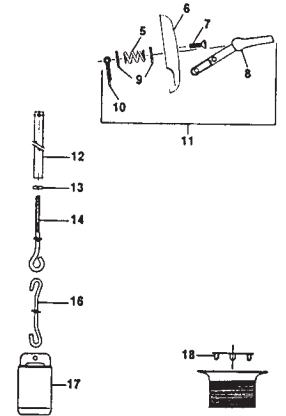
DELTA-BRASS & PVC WASTE

ITEM	PART #	DESCRIPTION
1	05221923	Plunger assembly
2	05221922	Clevis
3	05221894	Cotter pin
4	44735008	Waste gasket
5	05221925	Retainer wire
6	05221927	Retainer screws
7	79992020	Face plate screws
8	79992022	Clip
9	79732004	Face plate assembly
11	05221928	Strainer screw
12	05221929	Strainer w/ screw
14	05221931	Waste plug
15	44735006	Gasket
23	05221932	Plunger assembly
24	05221933	Snap-in strainer
25	05221934	Waste plug



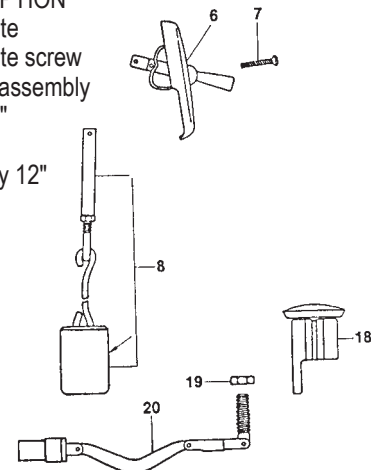
ELJER ULTIMA & LIFETIME

ITEM	PART #	DESCRIPTION
11	79732002	Face plate with screws
12	06890321	Clevis
13	06890235	Hex nut
14	06890323	Eye bolt
16	06890254	Plunger link
17	06890236	Plunger
18	06895332	Strainer top



ELJER ULTIMA

ITEM	PART #	DESCRIPTION
6	79732004	Face plate
7	79992020	Face plate screw
8	06890322	Plunger assembly 14" & 16"
	06890388	Plunger assembly 12"
18	06890234	Stopper
19	06890050	Hex nut
20	06890245	Link unit

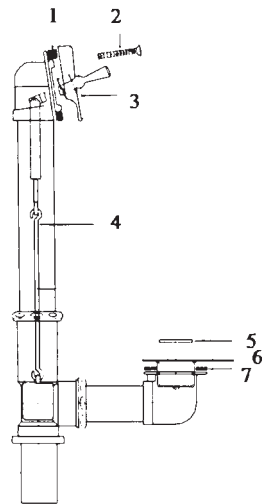


INTERNET INQUIRIES AND ORDERS CALL US TOLL FREE 877-258-2572
www.plumbingspecialties.com

TUB & SHOWER REPAIRS/ACCESSORIES

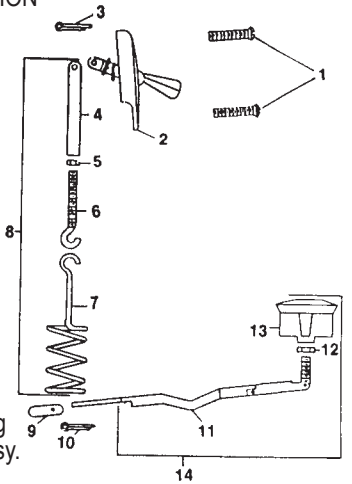
FROST 6722-0 & 6723-0

ITEM	PART #	DESCRIPTION
1	44735008	Overflow gasket
2	79992020	Face plate screw
3	79992004	Face plate
4	47002028	Lift assembly with stopper
5	47002034	Snap-in strainer
6	47002020	Strainer
7	44735006	Gasket



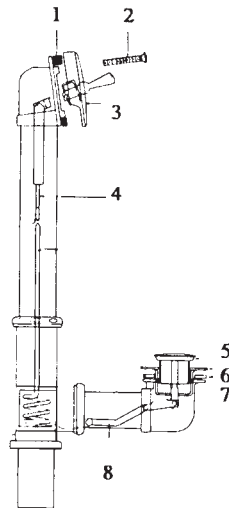
INDIANA BRASS-MODEL 796

ITEM	PART #	DESCRIPTION
1	79992020	Face plate screw
2	79732004	Face plate assembly
3		Cotter pin
4		Yoke
5		Hex nut
6		Upper wire
7		Lower wire
8	08380268	Lift wire assembly
9		Extention
10		Cotter pin
11		Linkage
12		Hex nut
13		Pop-up plug
14	08380270	Linkage assy.



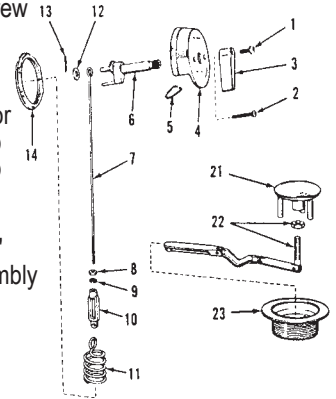
FROST 6733-0 & 6734-0

ITEM	PART #	DESCRIPTION
1	44735008	Overflow gasket
2	79992020	Face plate screw
3	79732004	Face plate
4	47002030	Lift assembly
5	47002024	Stopper
6	47002002	Strainer
7	44735006	Gasket
8	47002026	Link assembly less stopper



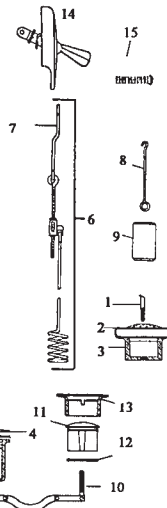
KOHLER-CLEAR PASS POP-UP

ITEM	PART #	DESCRIPTION
1	42720100	Handle screw
2	09890340	Face plate screw
3	09891985	Handle
4	09891066	Face plate
5	09891260	Clip
6	09891268	Striker actuator
7-13	09891562	Striker-14" tub
	09891561	Striker-16" tub
14	09891245	Lock ring
21	09891272	Stopper-CP
22	09891253	Rocker arm-7"
21-22	09891252	Stopper assembly with 7" arm
23	09891199	Strainer body



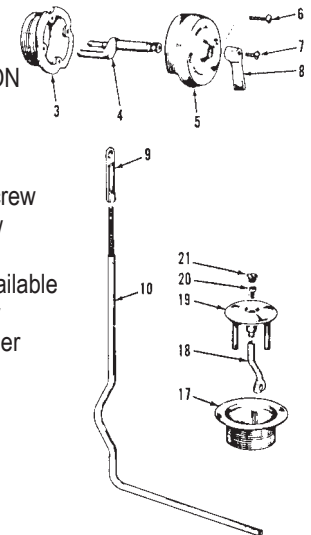
GERBER TRIP LEVER & POP-UP WASTE

ITEM	PART #	DESCRIPTION
	44735008	Waste gasket
1	07290540	Strainer screw
2	07290550	Strainer (trip waste)
3	07290800	Shoe plug (trip waste)
4	07290530	Washer
5	07290950	Shoe & tube (9")
6	07291302	Lift assembly for pop-up
	07290990	Lift assembly for trip waste
7	07290500	Upper wire
8	07290510	Lower wire - trip waste
9	07290820	Plunger - trip waste
10	07290980	Linkage assy. pop-up
11	07291010	Stopper w/ o-ring
12	41001059	Stopper o-ring
13	07290802	Shoe plug (pop-up)
14	79732004	Face plate assy.
15	79992020	Face plate screw



KOHLER-CLEAR PASS POP-UP (OLD STYLE)

ITEM	PART #	DESCRIPTION
3	09891190	Lock ring
4	09891194	Crank
5	09891066	Face plate
6	09890340	Face plate screw
7	42720100	Handle screw
8	09891985	Handle
9-10		No longer available
17	09891199	Strainer body
18-21	09891576	Pop-up stopper

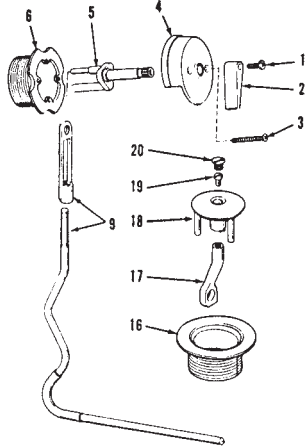


INTERNET INQUIRIES AND ORDERS CALL US TOLL FREE 877-258-2572
www.plumbingspecialties.com

TUB & SHOWER REPAIRS/ACCESSORIES

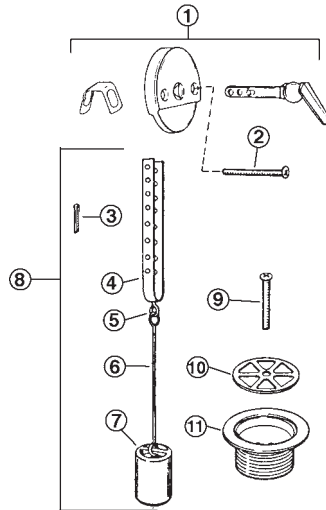
KOHLER-CLEAR PASS POP-UP 2" DRAIN

ITEM	PART #	DESCRIPTION
1	42720100	Handle screw
2	09891985	Handle
3	09890340	Face plate screw
4	09891066	Face plate
5	09891194	Crank
6	09891190	Lock ring
9	09891563	Lift assembly
16	09891199	Strainer body
17	09891180	Stopper post
18	09890650	Stopper w/ o-ring
	41001048	O-ring for stopper
19	09891209	Screw
20	09891210	Screw



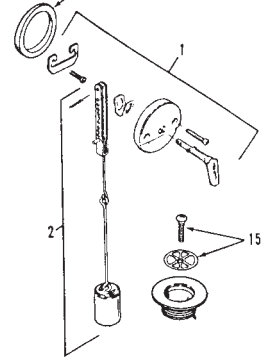
KOHLER TREND & SHOREHAM

ITEM	PART #	DESCRIPTION
1	09892982	Face plate assembly
2	09890920	Face plate screw
3	09892910	Cotter pin
4	09892900	Adjusting link
5	09892911	Lift wire link
6	09892920	Lift wire
7	09892921	Plunger
8	09891572	Plunger assembly
9	09890340	Strainer screw
10	09891300	1-5/8" Strainer
	09891205	2-3/16" Strainer
11	09892940	2-3/16" Strainer body



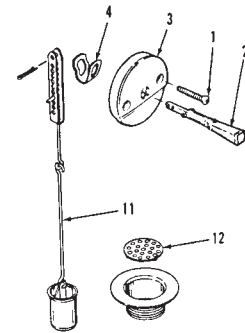
KOHLER TREND II

ITEM	PART #	DESCRIPTION
1	09892982	Face plate assembly
2	09891572	Plunger assembly
3	44735008	Gasket
15	09891573	Strainer & screw



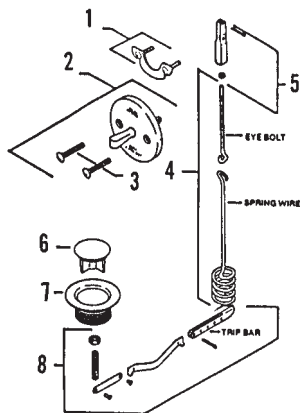
KOHLER PVC/ABS POP-UP

ITEM	PART #	DESCRIPTION
1	79992020	Face plate screw
1-4	79732002	Face plate w/ screws
4	79992022	Clip
11	09891569	Stopper & linkage
12	09890764	Snap-in strainer



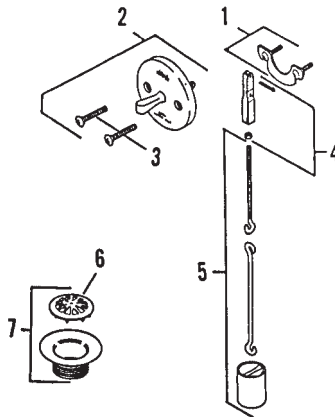
PRICE PFISTER 21 SERIES POP-UP

ITEM	PART #	DESCRIPTION
1	12890756	Retainer plate
2	79732002	Face plate w/ screws
3	79992020	Face plate screw
4	12890841	Spring wire-14" tub
5	12890760	Clevis
6	12890796	Stopper
7	12890794	Shoe plug
8	12890790	Trip waste assembly



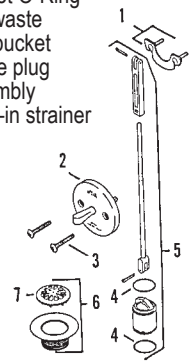
PRICE PFISTER 19 SERIES BRASS TRIP LEVER

ITEM	PART #	DESCRIPTION
1	12890756	Retainer plate
2	79732002	Face plate w/ screws
3	79992020	Face plate screw
4	12890760	Clevis
5	12890820	Trip waste w/bucket
6	12890810	Snap-in strainer
7	12890830	Waste plug assembly



PRICE PFISTER 19 SERIES PVC TRIP LEVER

ITEM	PART #	DESCRIPTION
1	12890756	Retainer plate
2	79732004	Face plate
3	79992020	Face plate screw
4	41001038	Bucket O-Ring
5	12890845	Trip waste with bucket
6	12890830	Waste plug assembly
7	12890810	Snap-in strainer

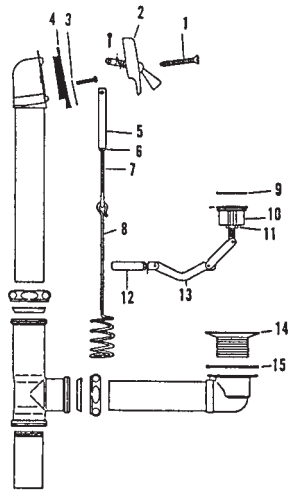


INTERNET INQUIRIES AND ORDERS CALL US TOLL FREE 877-258-2572
www.plumbingspecialties.com

TUB & SHOWER REPAIRS/ACCESSORIES

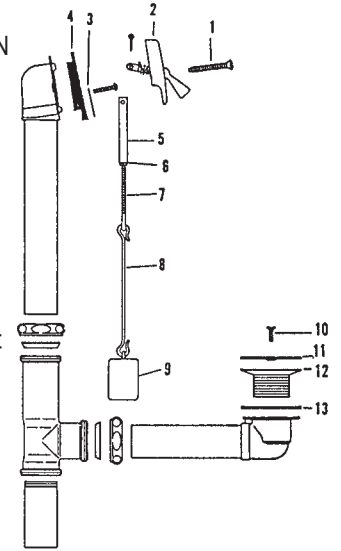
SAYCO POP-UP WASTE

ITEM	PART #	DESCRIPTION
1	79992020	Face plate screw
2	79732002	Face plate
1-2	79732004	Face plate with screws
3	14890626	Lockplate
4	14890630	Head washer
5	14890637	Yoke
6	14890627	Nut
7	14890632	Upper eye bolt
8	14890651	Lower spring
9	14890655	Plunger o-ring
10	14890522	Plunger with o-ring
11	14890650	Locknut
12	14890652	Rod extension
13	14890518	Rocker arm assembly
	14890520	Rocker arm assembly with plunger
14	14890625	Shoe plug
15	14890635	Shoe washer



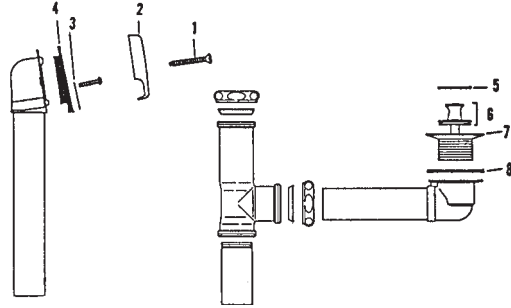
SAYCO TRIP LEVER WASTE

ITEM	PART #	DESCRIPTION
1	79992020	Face plate screw
2	79732004	Face plate with screws
3	14890626	Lockplate
4	14890630	Head washer
5	14890637	Yoke
6	14890627	Nut
7	14890632	Upper eye bolt
8	14890633	Lower lift wire
9	14890620	Plunger
5-9	14890500	Plunger assembly
10	14890170	Strainer screw
11	14890510	Strainer
12	14890625	Shoe plug
13	14890635	Shoe washer



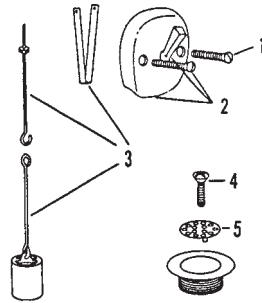
SAYCO LIFT & SPIN WASTE

ITEM	PART #	DESCRIPTION
1	79992020	Face plate screw
2	79992018	Face plate
3	14890626	Lockplate
4	14890630	Head washer
5	14890655	O-ring
6	14890530	Lift-N-Spin stopper complete
7	14890657	Drain plug
8	14890635	Drain plug washer



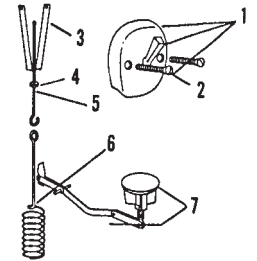
STERLING TRIP LEVER WASTE

ITEM	PART #	DESCRIPTION
1	79992020	Face plate screw
2	79732002	Face plate with screws
3	16890515	Linkage assembly
4	16890718	Strainer screw
5	16890589	Strainer



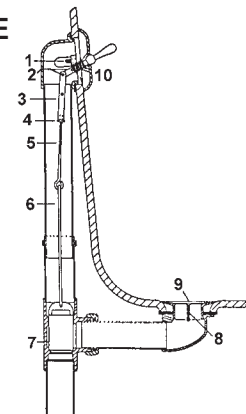
STERLING POP-UP WASTE

ITEM	PART #	DESCRIPTION
1	79732002	Face plate with screws
2	79992020	Face plate screw
3	16890627	Clevis
4	16890622	Nut
5	16890628	Bolt
6	16890664	Push rod
7	16890260	Stopper assembly



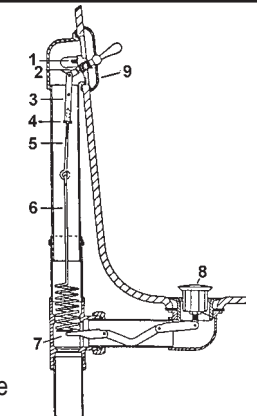
UNION BRASS TRIP LEVER WASTE

ITEM	PART #	DESCRIPTION
1	79992020	Face plate screw
2	19930464	Cotter pin
3	19930398	Adjusting link
4	19930438	Nut
5	19930138	Eye bolt w/nut
6	19930399	Double "I" link
7	19930549	Plunger
8	19930488	Strainer screw
9	19930525	Strainer
10	79732002	Face plate with screws



UNION BRASS POP-UP WASTE

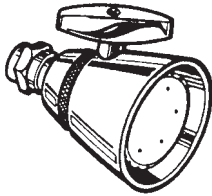
ITEM	PART #	DESCRIPTION
1	79992020	Face plate screw
2	19930464	Cotter pin
3	19930398	Adjusting link
4	19930438	Nut
5	19930138	Eye bolt w/nut
6	19930508	Spring link
7	19930400	Fulcrum linkage
8	19930548	Stopper
9	79732002	Face plate with screws
	19938029	Octagonal face plate



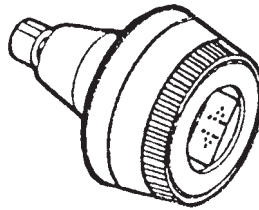
INTERNET INQUIRIES AND ORDERS CALL US TOLL FREE 877-258-2572
www.plumbingspecialties.com

TUB & SHOWER REPAIRS/ACCESSORIES

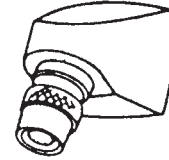
PART # DESCRIPTION
 79001002 Chrome plated solid brass with 2" face.
 79001004 Chrome plated solid brass with 2-1/2" face.
 79991032 PVD
 79991034 Chrome/gold
 79991036 White/gold
 79991038 Chrome



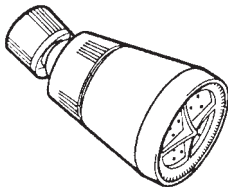
PART # DESCRIPTION
 79001012 Arm mounted pulsating head. Chrome plated PVC with brass nut.
 79991020 Showerhead, pulse



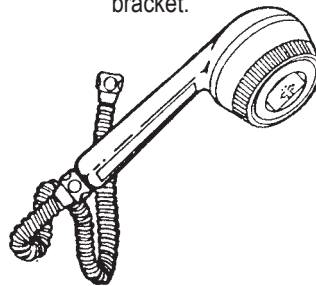
PART # DESCRIPTION
 79004004 Symmons Fre-Flo Institutional head with mounting bracket.



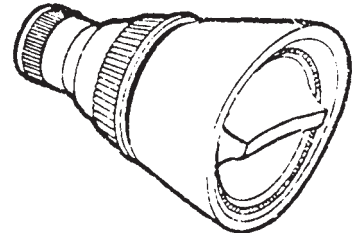
PART # DESCRIPTION
 79001006 Chrome plated ABS with adjustable spray.



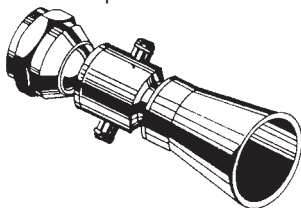
PART # DESCRIPTION
 79001014 Hand held pulsating shower. Comes with 5 ft. hose and mounting bracket.



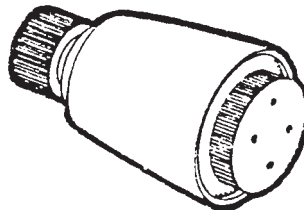
PART # DESCRIPTION
 79761036 Speakman "Cosmopolitan". Chrome plated plastic, adjustable spray with brass nut.



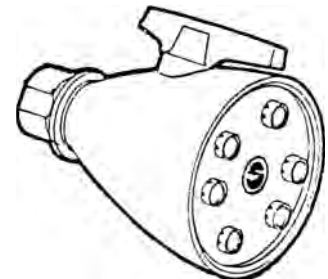
PART # DESCRIPTION
 79001007 Chrome plated brass with cut-off. Max. flow of 2.75 GPM
 79001022 Same as above less push button.



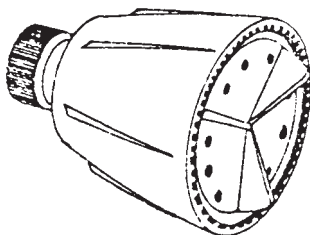
PART # DESCRIPTION
 79791038 Savoy chrome plated solid brass. Has vandal proof feature.



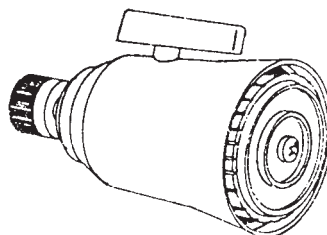
PART # DESCRIPTION
 79761034 Speakman "Any stream" 2-3/4" face, 6 jet.
 79761038 Speakman "Any stream" 2-1/2" face, 4 jet.
 79762000 Massage head



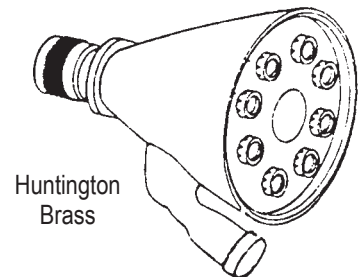
PART # DESCRIPTION
 79001008 Chrome plated ABS with adjustable spray. Brass balljoint.



PART # DESCRIPTION
 79004006 Symmons chrome plated plastic head. Adjustable spray with brass nut. 1/2" male IPS connection.



PART # DESCRIPTION
 79401381 6 jet - chrome
 79401387 6 jet - PVD/polished brass
 79401391 8 jet - chrome



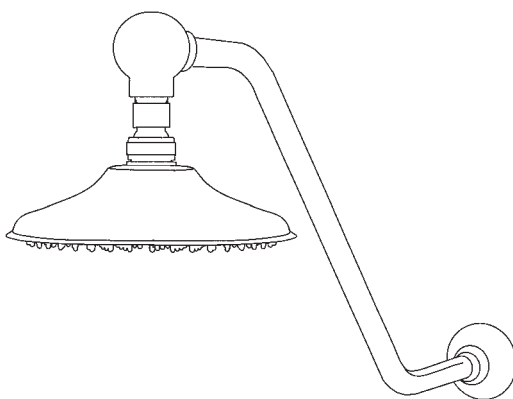
Huntington Brass

INTERNET INQUIRIES AND ORDERS CALL US TOLL FREE 877-258-2572
www.plumbingspecialties.com

TUB & SHOWER REPAIRS/ACCESSORIES

8" RAIN PAN SHOWER HEAD

PART #	DESCRIPTION
79991180	Chrome plated
79991185	PVD
79991190	Satin finish

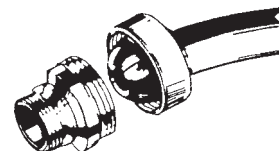


10" X 18" SHOWER ARM

PART #	DESCRIPTION
79991100	Chrome plated
79991105	PVD
79991110	Satin finish

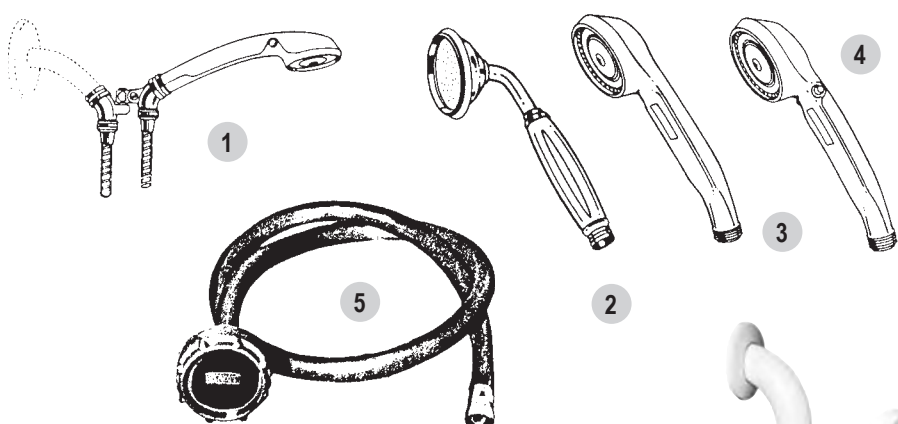
BALL JOINT SHOWER ARM ADAPTERS

PART #	DESCRIPTION
79631070	For American Standard
79631072	For Price Pfister
79631074	For Gerber



HAND HELD SHOWERS AND ACCESSORIES

ITEM	PART #	DESCRIPTION
1	79021040	Push-button hand held shower, 59" Voral hose & shower arm mount.
2	79021041	Classic style hand shower
3	79021042	Full spray hand shower
4	79021044	Push button hand shower
5	79001088	Shampoo spray with hose
	79021050	Massage head (not shown)
6	79000050	Rinse all valve
7	79000060	Hose assembly



HANDHELD SHOWERS FROM ALSONS

PART #	DESCRIPTION
79021036	Chrome plated handheld shower
79021038	White handheld shower
79021030	Chrome plated shower arm mount
79021032	White shower arm mount
79021250	White grab bar shower system

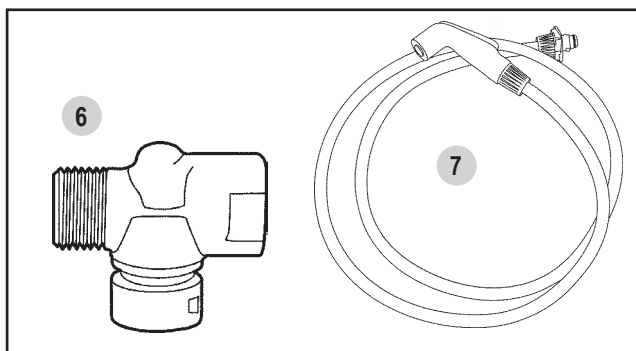


79021036
79021038



79021030
79021032

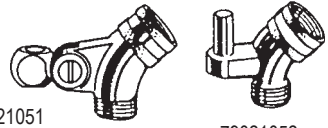
79021250



INTERNET INQUIRIES AND ORDERS CALL US TOLL FREE 877-258-2572
www.plumbingspecialties.com

TUB & SHOWER REPAIRS/ACCESSORIES


PART #	DESCRIPTION
79021051	Swivel connector, white with CP trim
79021053	Swivel connector, all chrome
79021052	Shower arm mount
79021180	Clear plastic ring for all swivel connectors
79025002	Swivel connector, HD



79021051
79021053

79021052

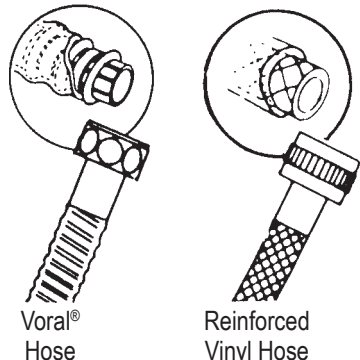
PART #	DESCRIPTION
79021060	Wall bracket-white, adhesive mount
79021062	Wall bracket-chrome, adhesive mount
79021064	Wall bracket-ABS, screw mount



79021064

79021060
79021062


PART #	DESCRIPTION
79021046	59-inch Voral hose
79021047	69-inch Voral hose
79021048	84-inch Voral hose
79871080	60-inch reinforced vinyl hose
79871090	96-inch reinforced vinyl hose




Voral®
Hose

Reinforced
Vinyl Hose

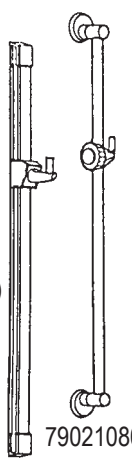
PART #
79021058
Gasket for all
1/2" connections



PART #	DESCRIPTION
79021054	CP Brass vacuum breaker
79021055	Repair kit for vacuum breaker
79871078	Mounting bracket for Water Pik



PART #	DESCRIPTION
79021090	Glide Rail 24-inch
79021080	Wall Bar 24-inch
79021070	Knob for wall bar
79021072	Adjustment sleeve for 18 mm bar (O/S)

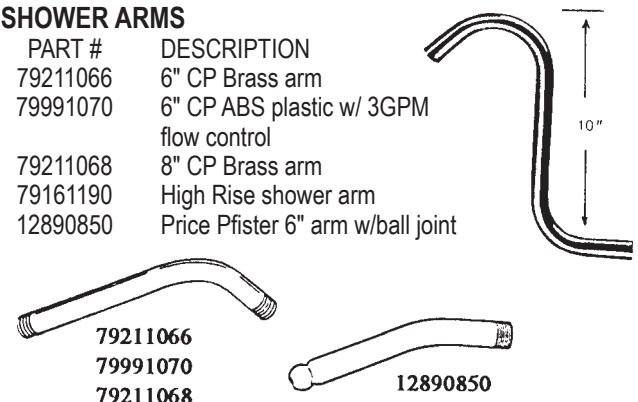


79021090

79021080

SHOWER ARMS

PART #	DESCRIPTION
79211066	6" CP Brass arm
79991070	6" CP ABS plastic w/ 3GPM flow control
79211068	8" CP Brass arm
79161190	High Rise shower arm
12890850	Price Pfister 6" arm w/ball joint

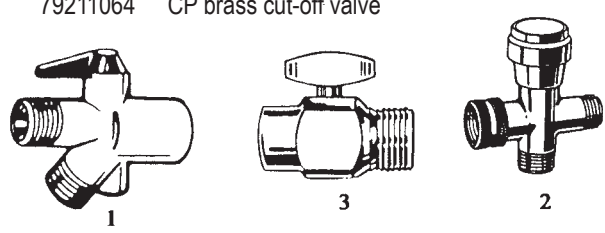


79211066
79991070
79211068

12890850

SHOWER CUT-OFF & DIVERTER VALVES

ITEM	PART #	DESCRIPTION
1	79991082	Two-way shower diverter Chrome plated ABS plastic
2	79021056	Delux Dual-flow diverter. CP solid brass push-pull action.
3	79211064	CP brass cut-off valve



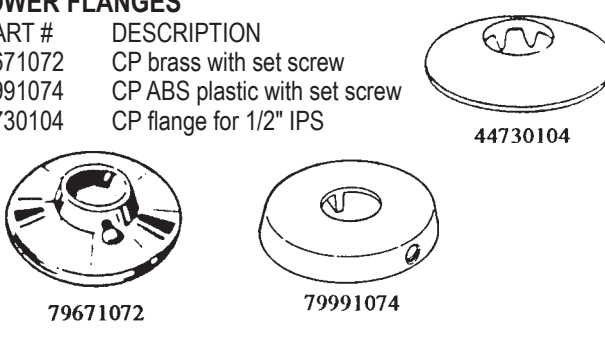
1

3

2

SHOWER FLANGES

PART #	DESCRIPTION
79671072	CP brass with set screw
79991074	CP ABS plastic with set screw
44730104	CP flange for 1/2" IPS




79671072

79991074

44730104

SHOWER RESTRICTORS

PART #	DESCRIPTION
79211085	Rubber flow restrictor 2.75 GPM @ 15 to 125 psi
79211084	Brass restrictor w/rubber washer 2.5 GPM @ 60 psi
79211086	Metal flow restrictor for ball joint arms



79211085

79211084

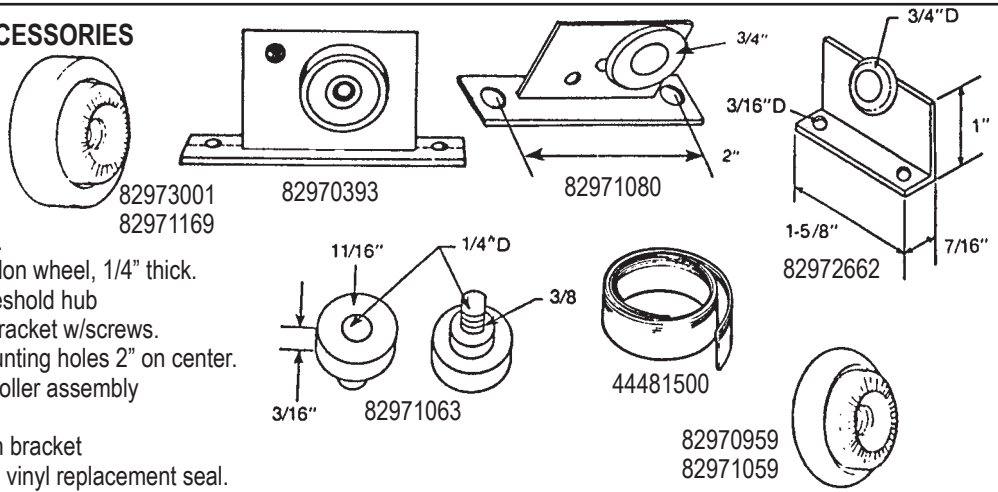
79211086

INTERNET INQUIRIES AND ORDERS CALL US TOLL FREE 877-258-2572
www.plumbingspecialties.com

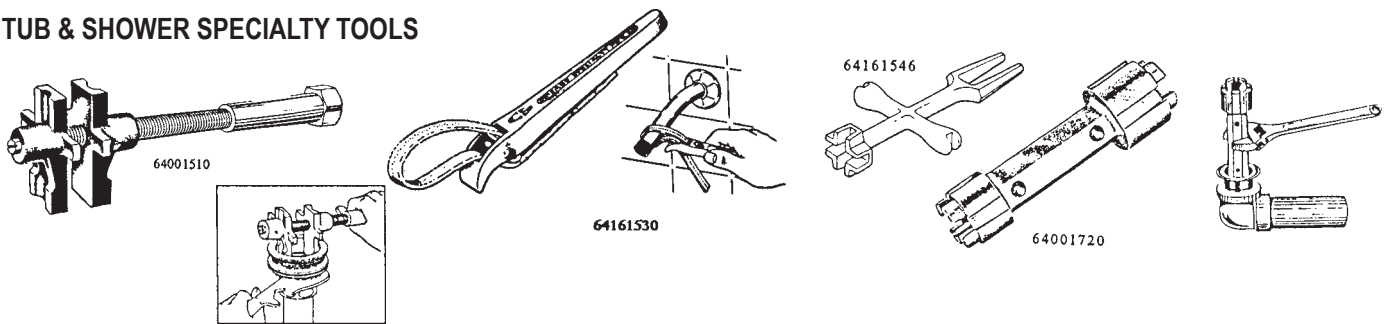
TUB & SHOWER REPAIRS/ACCESSORIES

SHOWER DOOR ROLLERS & ACCESSORIES

PART #	DESCRIPTION
82973001	3/4" Dia. roller, nylon wheel, 1/4" thick.
82971169	7/8" Dia. roller, nylon wheel, 1/4" thick.
82970959	7/8" Dia. oval roller, nylon wheel, 1/4" thick.
82971059	3/4" Dia. oval roller, nylon wheel, 1/4" thick.
82971063	Shower door roller threshold hub
82970393	Shower door roller & bracket w/screws. Wheel dia. is 3/4", mounting holes 2" on center.
82971080	Lumidor shower door roller assembly with bracket.
82972662	Shower door roller with bracket
44481500	Shower door seal. 36" vinyl replacement seal.

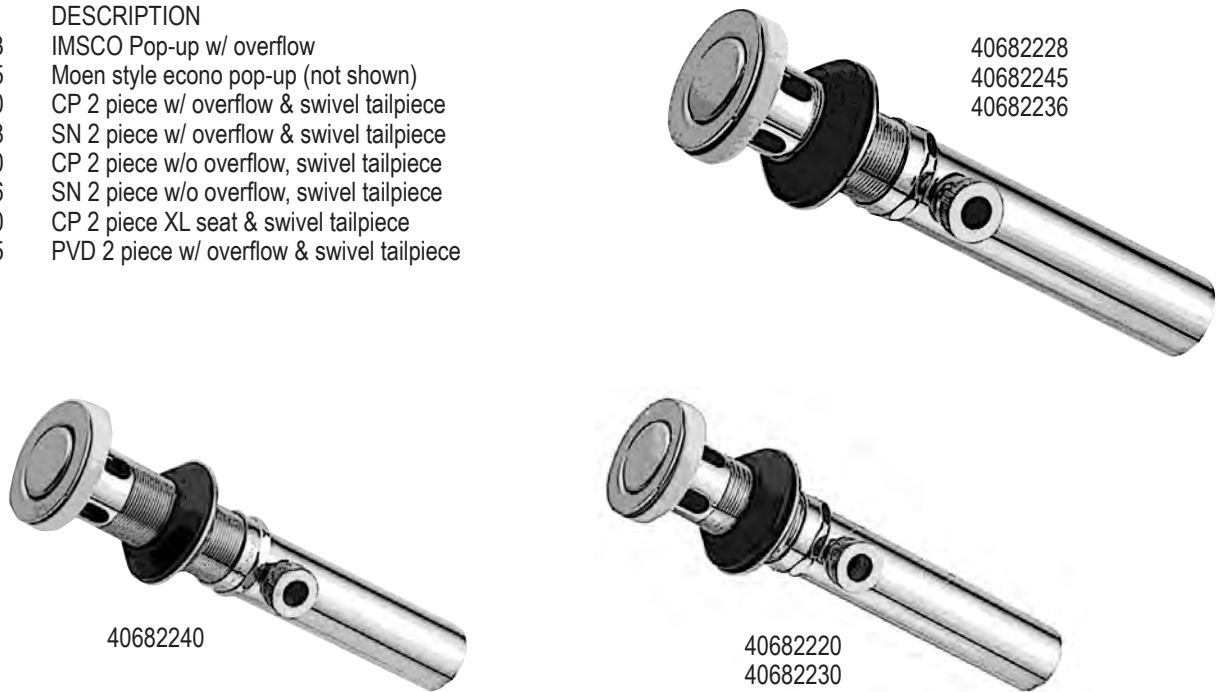


TUB & SHOWER SPECIALTY TOOLS



LAVATORY POP-UP DRAINS

PART #	DESCRIPTION
40682203	IMSCO Pop-up w/ overflow
40682215	Moen style econo pop-up (not shown)
40682220	CP 2 piece w/ overflow & swivel tailpiece
40682228	SN 2 piece w/ overflow & swivel tailpiece
40682230	CP 2 piece w/o overflow, swivel tailpiece
40682236	SN 2 piece w/o overflow, swivel tailpiece
40682240	CP 2 piece XL seat & swivel tailpiece
40682245	PVD 2 piece w/ overflow & swivel tailpiece



INTERNET INQUIRIES AND ORDERS CALL US TOLL FREE 877-258-2572
www.plumbingspecialties.com