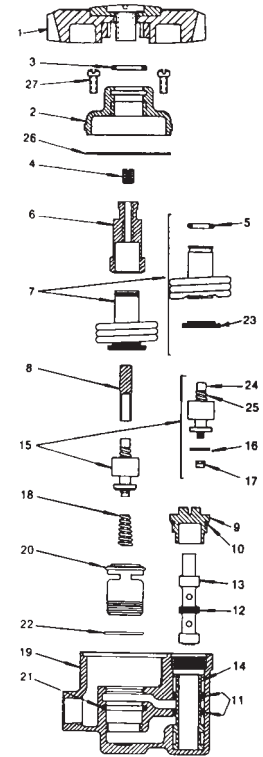


FAUCET REPAIR

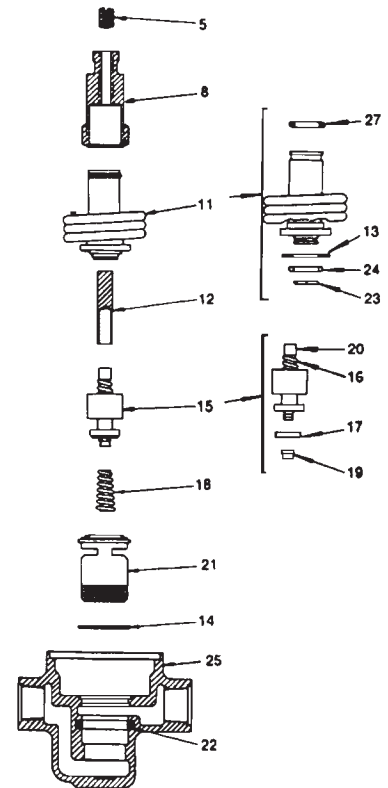
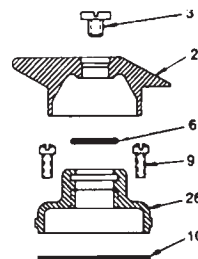
LAWLER SERIES PX-9700 THERMOSTATIC & PRESSURE BALANCED MIXING VALVE FOR PHOTO SERVICE

ITEM	PART #	DESCRIPTION	ITEM	PART #	DESCRIPTION
1	31180710	Handle assembly	25		Relief spring – order piston assy.
2		Cover assembly – order cover & spindle	26		Body gasket
3	31180690	Cover o-ring	27		Cover screw
4	31180310	Adjusting screw	A		Complete repair kit – specify 1/2" or 3/4"
5	31180410	Thermostat o-ring			Includes items 7,8,18,B, C & D
6		Spindle – order cover & spindle assy.	B	31180780	O-ring & gasket kit – 1/2"
7	31180740	Thermostat assembly – 1/2"		31180782	O-ring & gasket kit – 3/4"
8	31180702	Thermostat assembly – 3/4"			Includes items 3, 5, 10, 11, 12, 16, 21, 22, 23, & 26
9	31180220	Pushrod – 1/2"	C	31180756	Piston & liner assembly – 1/2"
10	31180240	Pushrod – 3/4"		31180760	Piston & liner assembly – 3/4"
11		Cylinder cap			Includes items 15 & 20
12	31180680	Cylinder cap o-ring – 1/2"	D		Shuttle & cylinder assembly – specify 1/2" or 3/4"
13	31180570	Cylinder cap o-ring – 3/4"			Includes 11 thru 14
14		Shuttle cylinder o-ring	E		Spindle & cover assembly – specify 1/2" or 3/4" Includes 2,3,4 & 6
15		Shuttle o-ring			
16		Shuttle			
17		Shuttle cylinder			
18		Piston assy. 1/2" or 3/4" see item C			
19		Hot seat disc			
20		Disc holding nut			
21		Valve spring			
22		Body			
23		Liner specify 1/2" or 3/4"			
24		Body o-ring			
		Liner seat o-ring			
		Shut off disc			
		Piston screw – order piston assy.			



LAWLER "RECESSO" MIXING VALVE (P/N 72036-00)

ITEM	PART #	DESCRIPTION	ITEM	PART #	DESCRIPTION
1		Dial plate (not shown)	A	31180820	Repair kit – includes 11,12,15,18,21 & B
2	31180320	Handle	B	31180810	O-ring & gasket kit includes 6,10,13,14 17,22,23,24 & 27
3	31180300	Handle screw	C	31180746	Cover & spindle assembly – includes 5,6, 8 & 26
4		Handle screw gasket	D	31180750	Piston & liner assembly – includes 15 & 21
5	31180310	Adjusting screw			
6	31180690	Cover o-ring			
7		Dial plate screw set			
8		Spindle – order cover & spindle assy.			
9		Cover screw			
10		Body gasket			
11		Thermostat assembly			
12		Push rod			
13		Shut-off disc			
14		Liner seat o-ring			
15		Piston assembly			
16		Relief spring – order piston assy.			
17		Hot seat disc			
18		Valve spring			
19		Disc holding nut			
20		Piston screw – order piston assy.			
21		Liner			
22		Body o-ring			
23		Retaining ring			
24		Disc ring			
25		Body			
26		Cover – order cover & spindle assy.			
27	31180410	Thermostat o-ring			

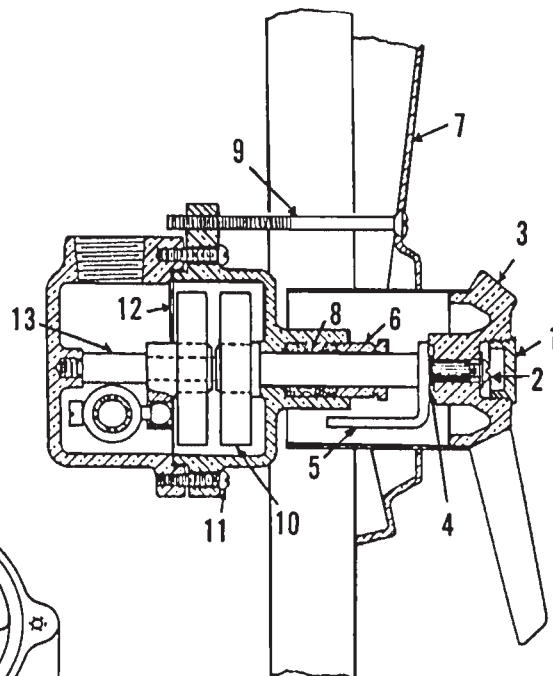
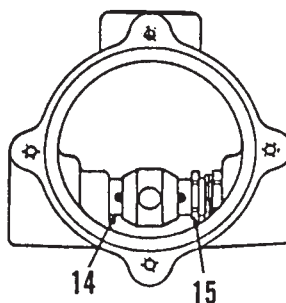
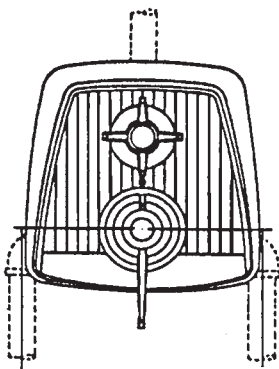


INTERNET INQUIRIES AND ORDERS CALL US TOLL FREE 877-258-2572
www.plumbingspecialties.com

FAUCET REPAIR

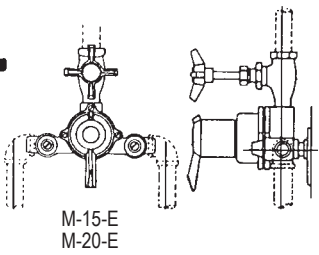
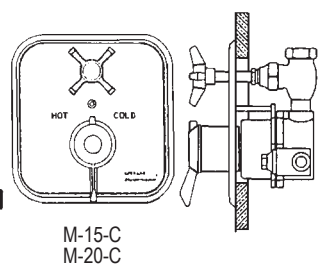
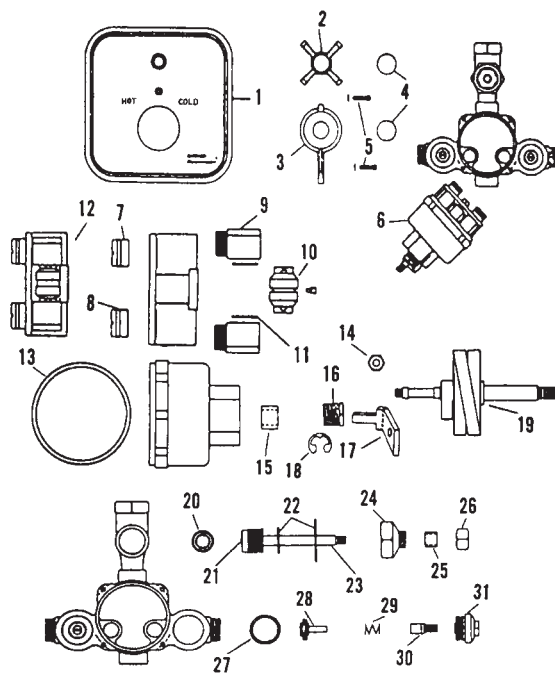
LEONARD M-10 SHOWERMASTER – OLD STYLE

ITEM	PART #	DESCRIPTION
1		Escutcheon cover
2		Escutcheon
3		Escutcheon
4	31410844	Rod bracket
5	31410846	Pointer rod
6	31410836	Gland nut
7		Wall flange
8	31410838	Gland nut (1)
9	31410854	Wall flange
10	31410842	Thermostatic assy. (1)
11	31410832	Cover screw
12	31410834	Cover gasket (1)
13	31410828	Base stud (1)
14	31410840	Port sleeve assy. (1)
15	31410826	Port sleeve nut (1)
	31410822	Repair Kit



LEONARD SHOWERMASTER MODELS M-15-C, M-20-C, M-15-E, M-20-E

ITEM	PART #	DESCRIPTION	ITEM	PART #	DESCRIPTION
1	31410250	Flange plate	30	31410626	Upper stem & packing
2	31410254	Handle	31	31410620	Check bonnet
3	31410426	Pointer		31410482	Repair kit – items marked (1)
4	31410256	Snap cap		31410480	Repair kit – items marked (2)
5	31410438	Screw & washer			
6		Thermostatic control assy. (2)			
7	31410494	Holder nut			
8	31410496	Holder nut o-ring (1)			
9	31410492	Port sleeve holder			
10	31410520	Port sleeve assembly			
11	31410490	Port sleeve packing			
12	31410526	Bridge assembly			
13	31410508	Cover gasket (1) (2)			
14	31410674	Pointer rod nut			
15	31410510	Gland packing (1)			
16	31410512	Gland nut			
17	31410514	Stop			
18	31410516	Retaining ring			
19	31410522	Thermo group			
20	31410652	Seat			
21	31410650	Seat washer & screw (1) (2)			
22	31410638	Washer & spacer (1)			
23	31410648	Stem			
24	31410636	Bonnet			
25	31410644	Stem packing (1)			
26	31410642	Bonnet cap			
27	31410622	Bonnet packing (1)			
28	31410630	Lower stem & packing (1)			
29	31410632	Check spring (1)			

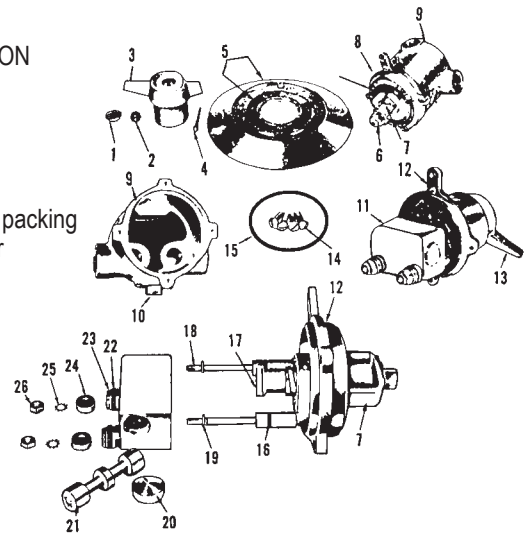


INTERNET INQUIRIES AND ORDERS CALL US TOLL FREE 877-258-2572
www.plumbingspecialties.com

FAUCET REPAIR

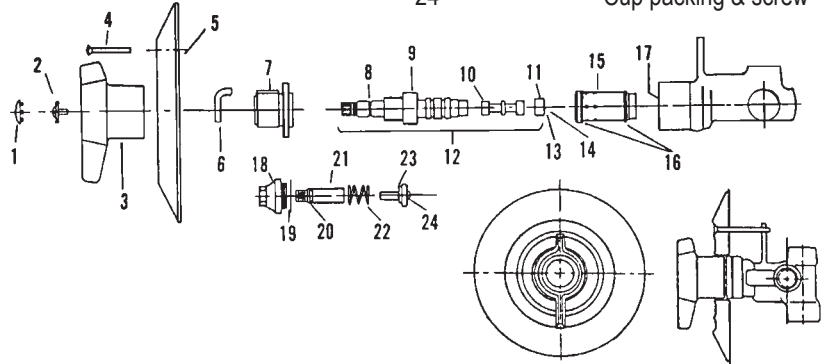
LEONARD PAM II PRESSURE ACTUATED MIXER

ITEM	PART #	DESCRIPTION	ITEM	PART #	DESCRIPTION
1	31412630	Pointer cap	19	31412610	Washers
2	31412482	Pointer screw & washer	20		End cap
3	31412478	Escutcheon pointer complete	21	31412612	Piston
4	31412634	Wall flange screw	22	31412518	O-Ring
5	31412632	Wall flange w/ dial plate	23	31412516	Seat
6	31412480	Stop retaining ring	24	31412608	Valve cup & packing
7	31412624	Stop	25		Lock washer
8		Cover	26		Nut
9		Base			
10		Drain plug			
11		Mixing block			
12		Cover			
13		Escutcheon pointer			
14	31412510	Cover screws			
15	31412508	Cover gasket			
16	31412604	Valve stem o-ring			
17		Control rod			
18	31412602	Valve stem/yoke assy.			



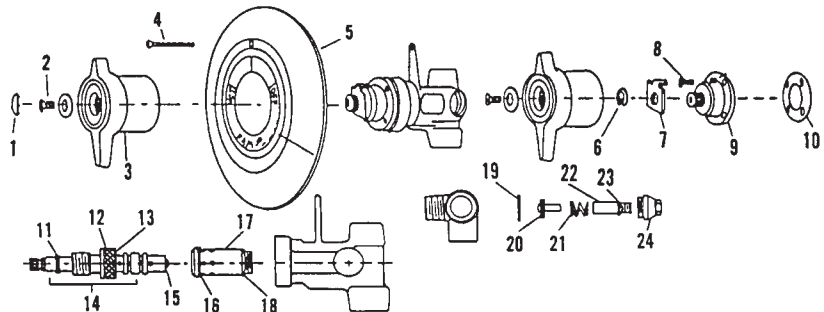
LEONARD PAM II PRESSURE ACTUATED MIXER – MANUFACTURED 1973 TO 1976

ITEM	PART #	DESCRIPTION	ITEM	PART #	DESCRIPTION	ITEM	PART #	DESCRIPTION
1	31410256	Snap cap CP	18	31412706	Check bonnet	21	31412696	Upper stem
2	31412482	Screw & washer	19	31412708	Bonnet packing	22	31412698	Spring
3	31412478	Pointer	20	31412502	O-Ring	23	31412702	Lower stem – cup & screw
4	31412634	Flange screw				24		Cup packing & screw
5	31412632	Wall flange w/dial plate						
6	31412474	Stop						
7	31412660	Cover						
8	31412668	O-Ring						
9	31412662	Upper cup w/packing						
10	31412658	Piston						
11	31412656	Lower cup						
12	31412682	Complete assembly						
13		Lower packing						
14		Screw						
15	NLA	Barrel						
16		O-Ring						
17	31412678	Body o-ring						



LEONARD PAM II-ST PRESSURE ACTUATED MIXER

ITEM	PART #	DESCRIPTION	ITEM	PART #	DESCRIPTION	ITEM	PART #	DESCRIPTION
1	31410256	Snap cap CP	19	31412708	Check bonnet packing	24	31412706	Check bonnet
2	31412482	Pointer screw & washer	20	31412702	Lower stem w/cup packing		31412448	Repair kit – items marked (1)
3	31412478	Escutcheon pointer	21	31412698	Check spring		31412450	Repair kit – items marked (2)
4	31411028	Flange screw	22	31412696	Upper check stem			
5	31412632	Wall flange w/dial plate	23	31412502	O-Ring			
6	31412480	Retainer ring						
7	31412474	Stop						
8	31412462	Cover screw						
9	31412460	Cover						
10	31412470	Cover gasket (1) (2)						
11	31411010	Control rod o-ring (2)						
12	31412458	Upper cup (2)						
13	31412464	Upper packing (2)						
14	31412476	Control rod group (1)						
15	31412452	Lower packing & screw (2)						
16	31412456	Upper sleeve packing (1)						
17	31412454	Sleeve (1)						
18	31412468	Sleeve o-ring (1)						

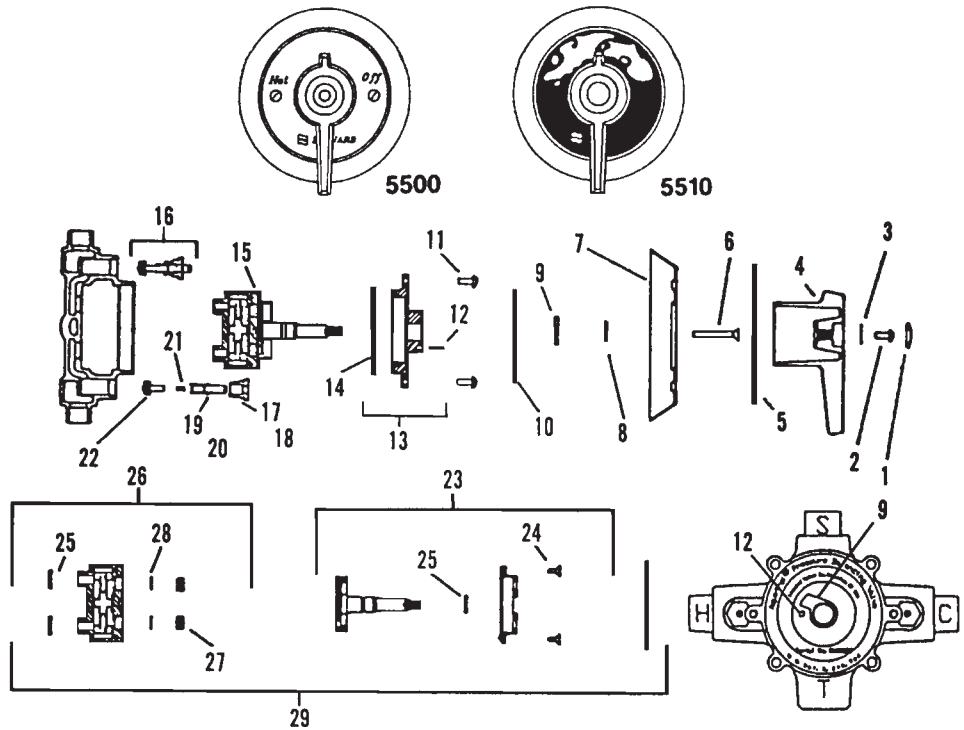


INTERNET INQUIRIES AND ORDERS CALL US TOLL FREE 877-258-2572
www.plumbingspecialties.com

FAUCET REPAIR

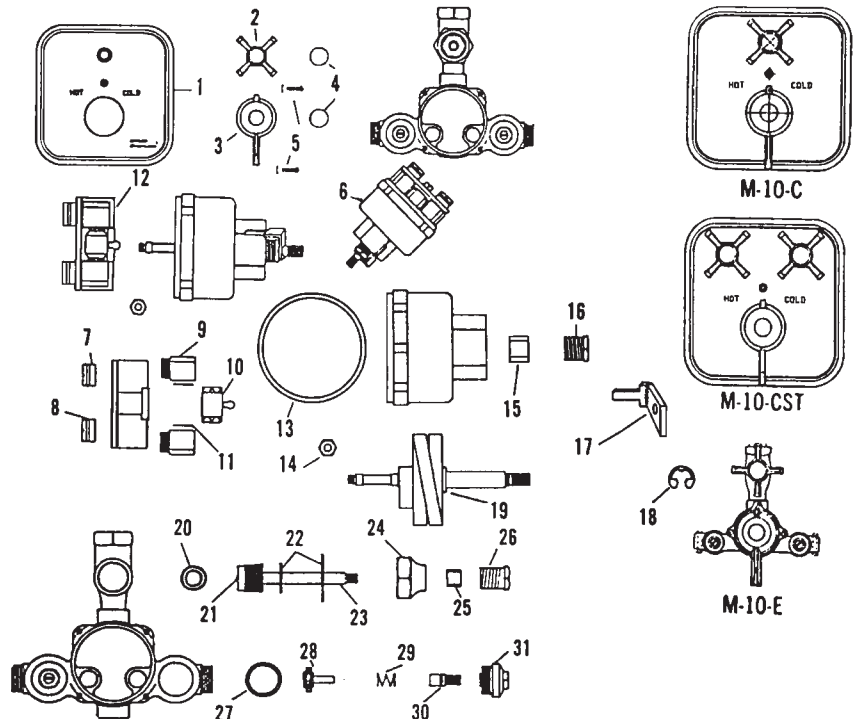
LEONARD AQUATROL NEW STYLE – 5500 & 5510 SERIAL NUMBERS G9200 & HIGHER

ITEM	PART #	DESCRIPTION
1	31413054	Snap cap
2	31413052	Pointer screw
3	31413050	Washer
4	31413020	Pointer
5	31413060	Dial plate
6	31413026	Flange screw
7	31413024	Wall flange
8	31413048	Retainer ring
9	31413018	Stop
10		Serial number plate
11	31413022	Cover screws
12	31413046	Stop pin
13		Cover complete
14	31413028	Cover o-ring
15	31413006	Cartridge complete
16	31413032	Checkstop assembly
17	31413034	Bonnet w/o-ring
18	31413036	Bonnet o-ring
19	31413038	Upper stem w/o-ring
20	31413040	Upper stem o-ring
21	31413044	Spring
22	31413042	Lower stem packing
23	31413058	Stem assembly
24	31413012	Diffuser screws
25	31413014	O-Ring
26	31413056	Block assembly
27	31413008	Diffuser packing
28	31413062	Diffuser washer
29	31413002	Rebuilding kit



LEONARD SHOWERMASTER MODELS M-10-C, M-10-CST, M-10-E

ITEM	PART #	DESCRIPTION	PART #	DESCRIPTION
1	31410250	Flange plate	31410120	Repair kit – items marked (1)
2	31410254	Handle	31410110	Repair kit – items marked (2)
3	31410426	Pointer		
4	31410256	Snap cap		
5	31410438	Screw & washer		
6	31410242	Thermostatic control assy. (2)		
7	31410208	Holder nut		
8	31410210	Holder nut o-ring (1)		
9	31410206	Port sleeve holder		
10	31410232	Port sleeve assembly		
11	31410204	Port sleeve packing		
12	31410238	Bridge assembly		
13	31410222	Cover gasket (1) (2)		
14	31410212	Pointer rod nut		
15	31410224	Gland packing (1)		
16	31410226	Gland nut		
17	31410228	Stop		
18	31410230	Retaining ring		
19	31410234	Thermo group		
20	31410340	Seat		
21	31410342	Seat washer & screw (1) (2)		
22	31410326	Washer & spacer (1)		
23	31410336	Stem w/washer & screw		
24	31410324	Bonnet		
25	31410332	Stem packing (1)		
26	31410330	Bonnet cap		
27	31410304	Bonnet packing (1)		
28	31410312	Stem & packing (1)		
29	31410314	Check spring (1)		
30	31410308	Upper stem & packing		
30A		Packing for upper stem (1)		
31		Check bonnet		

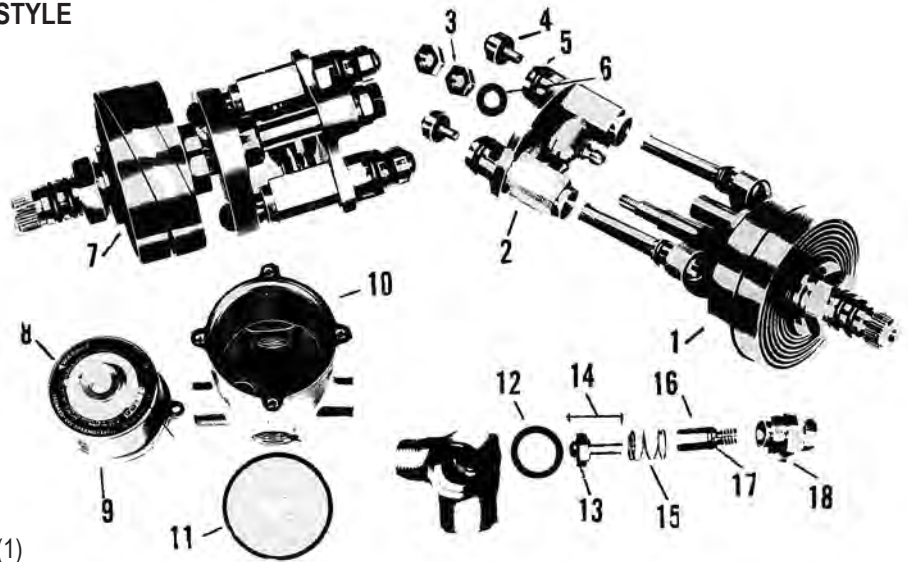


INTERNET INQUIRIES AND ORDERS CALL US TOLL FREE 877-258-2572
www.plumbingspecialties.com

FAUCET REPAIR

LEONARD SHOWERMASTER LVC- OLD STYLE

ITEM	PART #	DESCRIPTION
1		Thermostatic control yoke
2	31411018	Bridge assembly
3	31411006	Control rod nut
4	31410188	Valve cup
5	31411004	Holder nut o-ring
6	31411012	Control rod washer
7	31411112	Thermostatic control assy.
8	31411030	Dial plate
9		Cover
10		Base
11	31411022	Cover gasket
12	31411124	Check bonnet packing
13		Cup packing & screw
14		Lower stem
15	31411136	Check spring
16	31411126	Upper check stem
17	31411130	Packing
18	31411120	Check bonnet
	31410140	Repair kit – items marked (1)
	31410142	Repair kit – items marked (2)

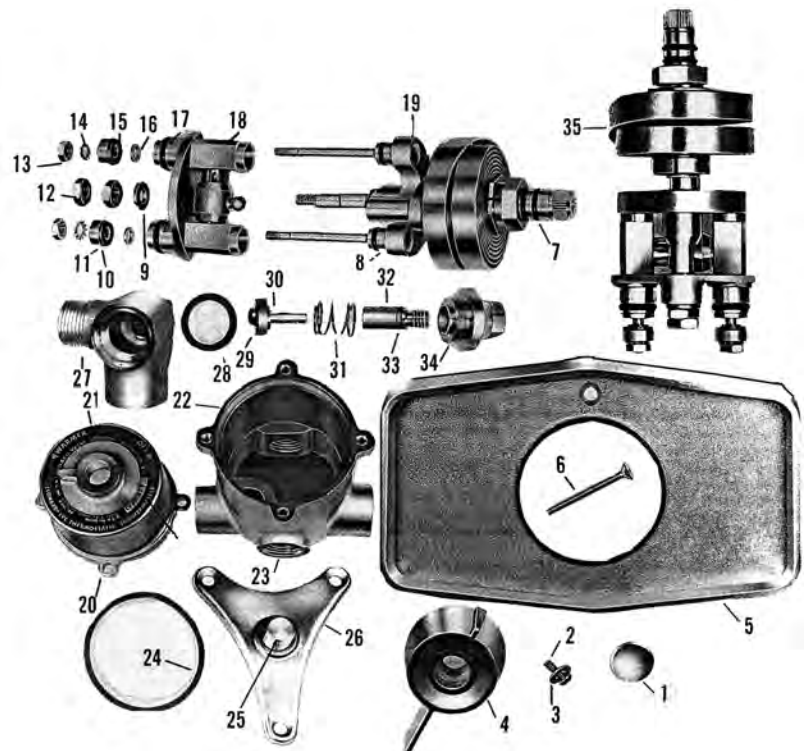


NOTE: PLEASE PROVIDE VALVE SERIAL NUMBER WHEN ORDERING PARTS

LEONARD SHOWERMASTER LVC P-12 &13 NEW STYLE EFFECTIVE 1966

ITEM	PART #	DESCRIPTION
1	31411038	Pointer cap CP
2	31411034	Pointer screw
3	31411036	Pointer washer
4	31411032	Pointer
5	31411026	Flange
6	31411028	Wall flange screw
7	31411010	Control rod o-ring (1)
8	31411014	Valve stem o-ring (1)
9	31411012	Control rod washer (1)
10		Cup (1)
11		Cup
12	31411006	Control rod nut
13		Valve stem nut
14		Valve stem lock washer
15		Cup packing
16	31411016	Cup packing washer (1)
17	31411004	Holder nut o-ring (1)
18	31411018	Bridge assembly
19	31411044	Thermostatic control yoke
20		Cover
21	31411030	Dial plate
22		Base
23		Drain plug
24	31411022	Cover gasket (1) (2)
25		Wall support nipple
26		Wall support
27		Check & stop body
28	31411124	Check bonnet packing
29		Cup & packing screw
30		Lower stem & cup
31	31411136	Check spring
32	31411126	Upper check stem
33	31411130	Packing
34	31411120	Check bonnet
35		Thermostatic control assy. (2)
	31411002	Repair kit – items marked (1)
	31411000	Repair kit – items marked (2)

NOTE: PLEASE PROVIDE VALVE SERIAL NUMBER WHEN ORDERING PARTS



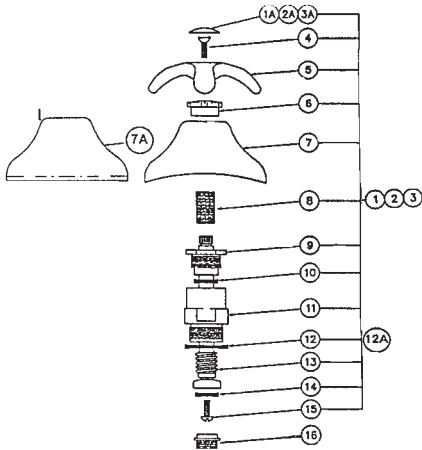
INTERNET INQUIRIES AND ORDERS CALL US TOLL FREE 877-258-2572
www.plumbingspecialties.com

FAUCET REPAIR

LOGAN MODEL 46 & 45 PANEL, MODEL 36 & 37 COLUMN SHOWERS

ITEM	PART #	DESCRIPTION
1	*	Valve assembly – neutral
1A	33011008	Welch button – neutral
2	*	Valve assembly – hot
2A	33011010	Welch button – hot
3	*	Valve assembly – cold
3A	33011012	Welch button – cold
4	42720206	Handle screw
5	33011016	Handle
6	33011018	Flange nut
7	33011020	Escutcheon – panel shower
7A	33011022	Escutcheon – column shower
8	33011024	Bonnet nipple
9	33011026	Packing nut
10	33010570	Stem packing
11	*	Stem sleeve
12	33010492	Washer – panel shower
12A	33010494	Washer – column shower
13	33011028	Valve stem assembly
14	33010505	Seat washer
15	42720300	Bibb screw
16	33011004	Valve seat

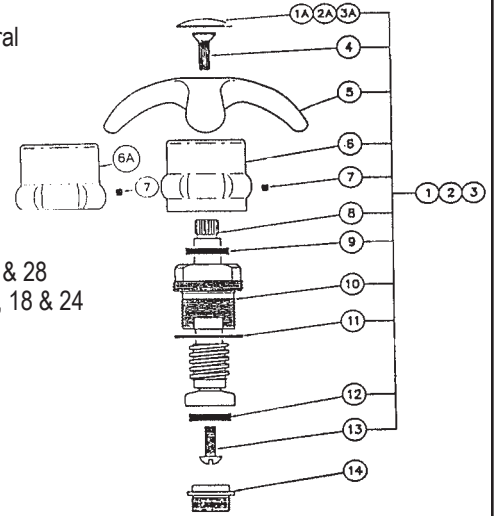
* Specify column or panel shower when ordering



LOGAN STEM & HANDLE ASSEMBLY FOR MODEL 27 & 28 PANEL SHOWER, MODEL 17, 18 & 24 EXPOSED PANEL SHOWER

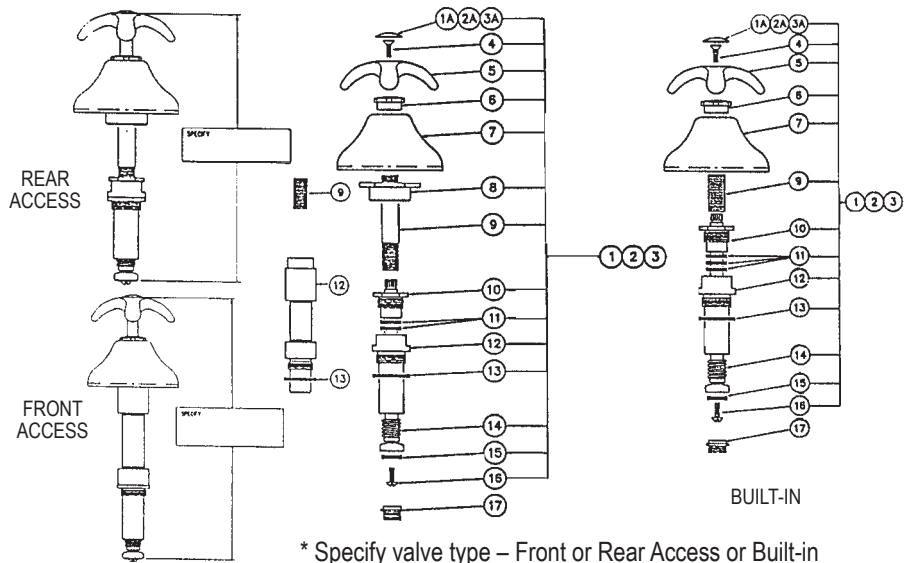
ITEM	PART #	DESCRIPTION
1	*	Valve assembly – neutral
1A	33011008	Welch button – neutral
2	*	Valve assembly – hot
2A	33011010	Welch button – hot
3	*	Valve assembly – cold
3A	33011012	Welch button – cold
4	42720206	Handle screw
5	33011016	Handle
6		Bonnet nut – model 27 & 28
6A		Bonnet nut – model 17, 18 & 24
7	33010380	Set screw
8	33011002	Stem assembly
9	33010570	Stem packing
10	*	Stem sleeve
11	33010478	Sleeve washer
12	33010505	Seat washer
13	42720300	Bibb screw
14	33011004	Valve seat

* Specify model number of shower



LOGAN STEM & HANDLE ASSEMBLY FOR MDLE. 19 & 26 BUILT-IN, FRONT & REAR ACCESS EXTENDED STEM VALVES

ITEM	PART #	DESCRIPTION	ITEM	PART #	DESCRIPTION
1	*	Valve assembly – neutral	9	33011024	Bonnet nipple – front access & built-in
1A	33011008	Welch button – neutral		33011030	Bonnet nipple – rear access
2	*	Valve assembly – hot	10	33011034	Packing nut
2A	33011010	Welch button – hot	11	33010570	Stem packing
3	*	Valve assembly – cold	12	*	Stem sleeve
3A	33011012	Welch button – cold	13	33010492	Washer
4	42720206	Handle screw	14	33011036	Stem assembly
5	33011016	Handle	15	33010505	Seat washer
6	33011018	Flange nut	16	42720300	Bibb screw
7	33011020	Escutcheon – 3-1/2"	17	33011004	Valve seat
8	33011032	Hex plug			



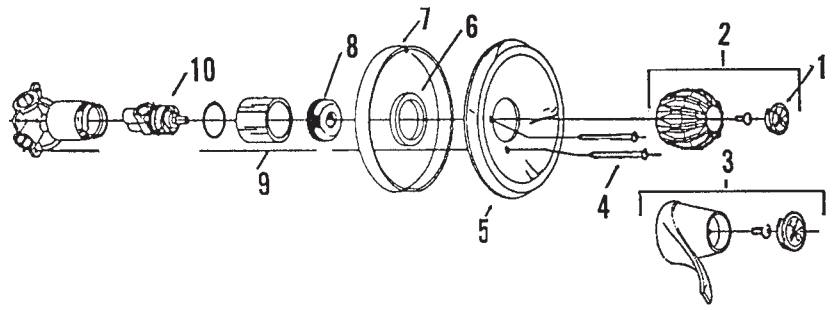
* Specify valve type – Front or Rear Access or Built-in

INTERNET INQUIRIES AND ORDERS CALL US TOLL FREE 877-258-2572
www.plumbingspecialties.com

FAUCET REPAIR

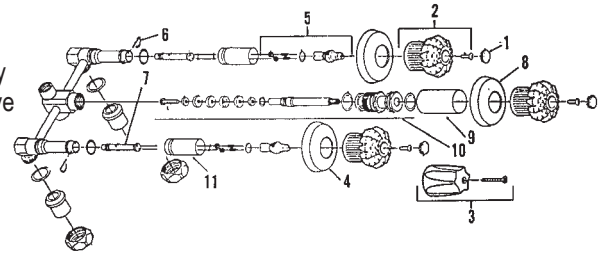
MILWAUKEE SINGLE LEVER TUB & SHOWER

ITEM	PART #	DESCRIPTION
1	20740912	Index button
2	20740648	Acrylic handle assembly
3	20741432	Lever handle assembly
4	20740712	Escutcheon screws
5	20740714	Wall escutcheon
6	20740804	Center escutcheon seal
7	20740802	Outer escutcheon seal
8	20740692	Cap nut
9	20740806	Escutcheon sleeve
10	20740280	Cartridge



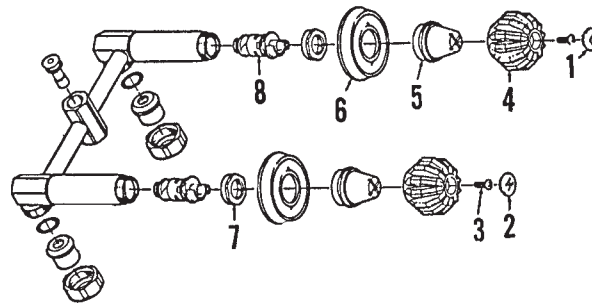
MILWAUKEE TUB & SHOWER W/DIVERTER

ITEM	PART #	DESCRIPTION	ITEM	PART #	DESCRIPTION
1	20740455	Hot index button	9	20741004	Diverter sleeve
	20740457	Cold index button	10	20741002	Diverter assembly
2	20740906	Acrylic handle assy.	11	20740818	Escutcheon sleeve
3	20740470	Metal handle assembly			
4	20740666	Escutcheon			
5	20740295	Valve assembly kit (2 units)			
6		Clip			
7	20741476	Stem insert			
8	20740670	Diverter escutcheon			



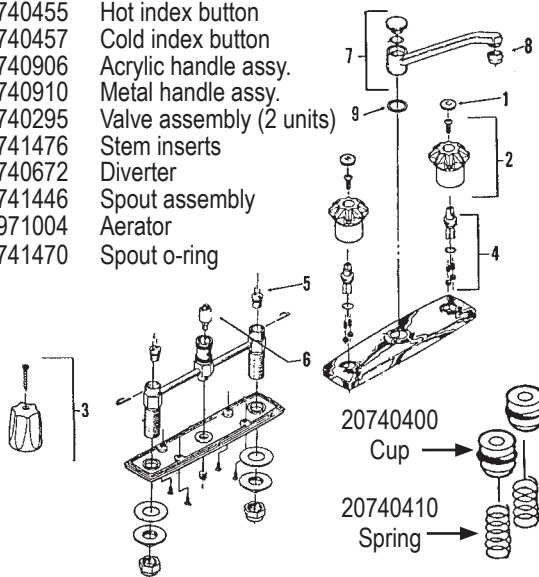
MILWAUKEE TUB & SHOWER VALVE

ITEM	PART #	DESCRIPTION
1	20740457	Cold index button
2	20740455	Hot index button
3	20740820	Handle screw
4	20740702	Acrylic handle
5	20740698	Handle insert
6		Escutcheon
7	20740688	Cap
8	20740510	Cartridge



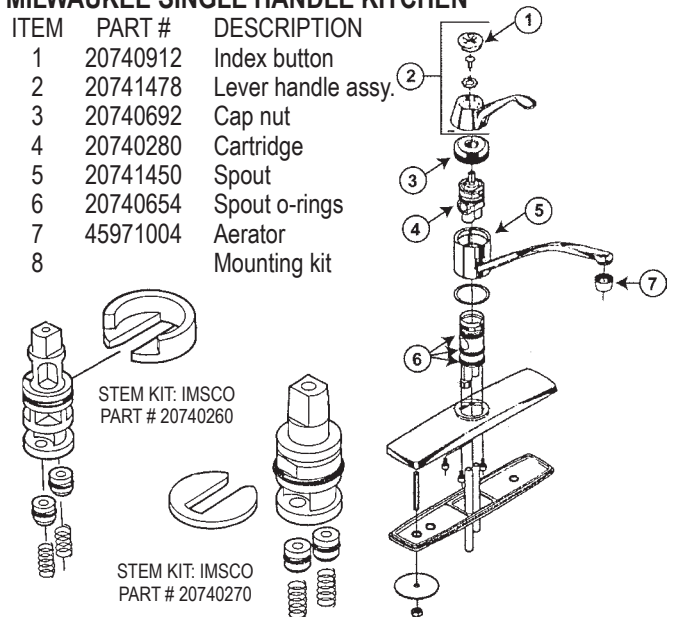
MILWAUKEE TWO HANDLE KITCHEN

ITEM	PART #	DESCRIPTION
1	20740455	Hot index button
	20740457	Cold index button
2	20740906	Acrylic handle assy.
3	20740910	Metal handle assy.
4	20740295	Valve assembly (2 units)
5	20741476	Stem inserts
6	20740672	Diverter
7	20741446	Spout assembly
8	45971004	Aerator
9	20741470	Spout o-ring



MILWAUKEE SINGLE HANDLE KITCHEN

ITEM	PART #	DESCRIPTION
1	20740912	Index button
2	20741478	Lever handle assy.
3	20740692	Cap nut
4	20740280	Cartridge
5	20741450	Spout
6	20740654	Spout o-rings
7	45971004	Aerator
8		Mounting kit

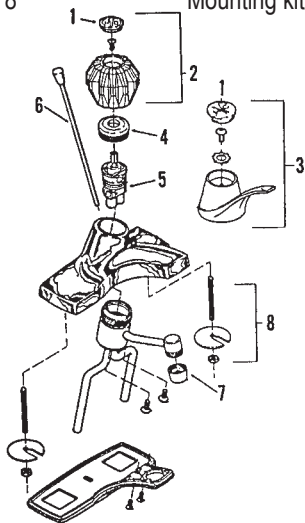


INTERNET INQUIRIES AND ORDERS CALL US TOLL FREE 877-258-2572
www.plumbingspecialties.com

FAUCET REPAIR

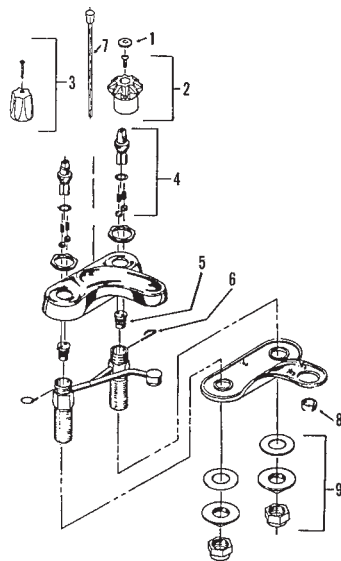
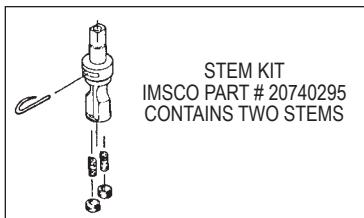
MILWAUKEE SINGLE HANDLE LAVATORY

ITEM	PART #	DESCRIPTION
1	20740912	Index button
2	20740648	Acrylic handle assy.
3	20741432	Metal handle assy.
4	20740692	Cap nut
5	20740280	Cartridge
6	20740880	Upper lift rod
7	45971004	Aerator
8		Mounting kit



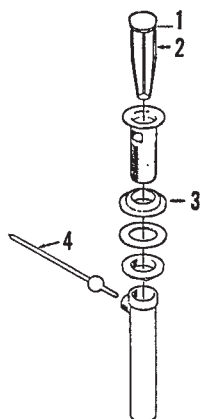
MILWAUKEE TWO HANDLE LAVATORY

ITEM	PART #	DESCRIPTION
1	20740455	Hot index button
	20740457	Cold index button
2	20740906	Acrylic handle assy.
3	20740910	Metal handle assy.
4	20740295	Valve assembly (2 units)
5	20741476	Stem inserts
7	20740880	Lift rod



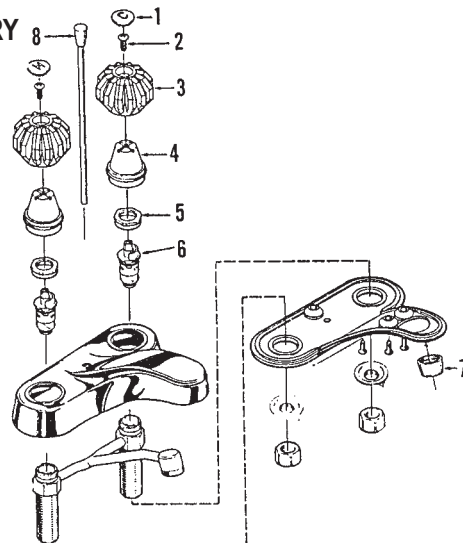
MILWAUKEE POP-UP DRAIN

ITEM	PART #	DESCRIPTION
1	20740412	Stopper
2	01892780	Stopper gasket
3	44735016	Mack washer
4	12890550	Rod & ball
5	20740300	Cap nut
6	12890560	Clip
7	12890540	Strap extension (not shown)



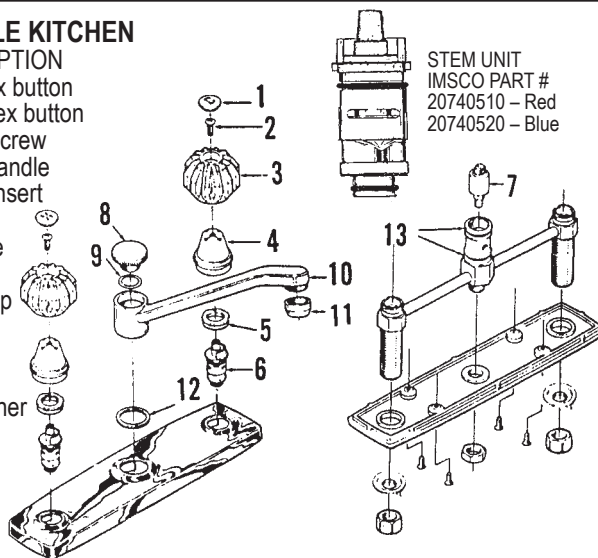
MILWAUKEE TWO HANDLE LAVATORY

ITEM	PART #	DESCRIPTION
1	20740706	Hot index
	20740708	Cold index
2	20740820	Handle screw
3	20740808	Acrylic handle
4	20740704	Handle insert
5	20740674	Cap
6	20740510	Cartridge
7	45971004	Aerator
8	20740880	Lift Rod



MILWAUKEE TWO HANDLE KITCHEN

ITEM	PART #	DESCRIPTION
1	20740455	Hot index button
	20740457	Cold index button
2	20740820	Handle screw
3	20740702	Acrylic handle
4	20740698	Handle insert
5	20740688	Cap
6	20740510	Cartridge
7	20740672	Diverter
8	20740705	Spout cap
9	20740662	O-Ring
10	20740690	Spout
11	45971004	Aerator
12	20740682	Slip washer
13	20740678	O-Ring



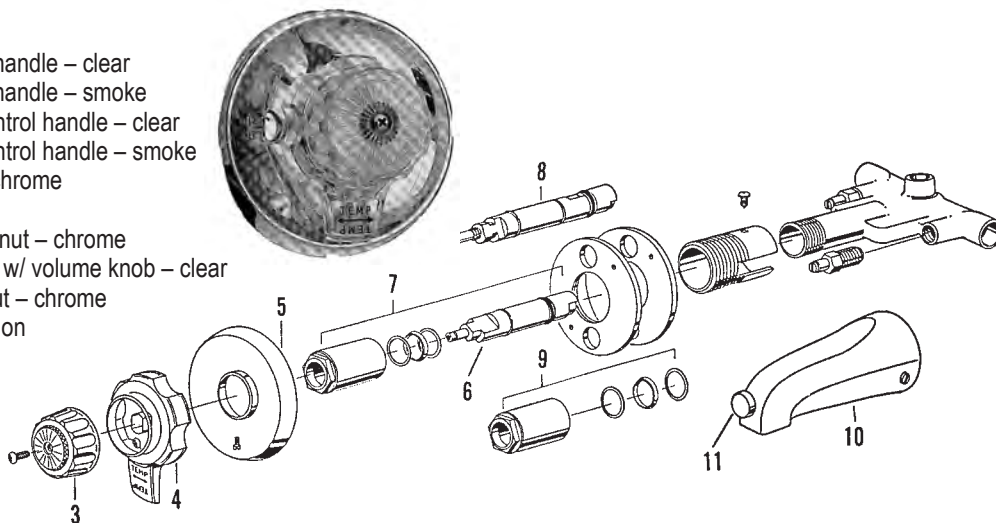
STEM UNIT
IMSCO PART #
20740510 - Red
20740520 - Blue

INTERNET INQUIRIES AND ORDERS CALL US TOLL FREE 877-258-2572
www.plumbingspecialties.com

FAUCET REPAIR

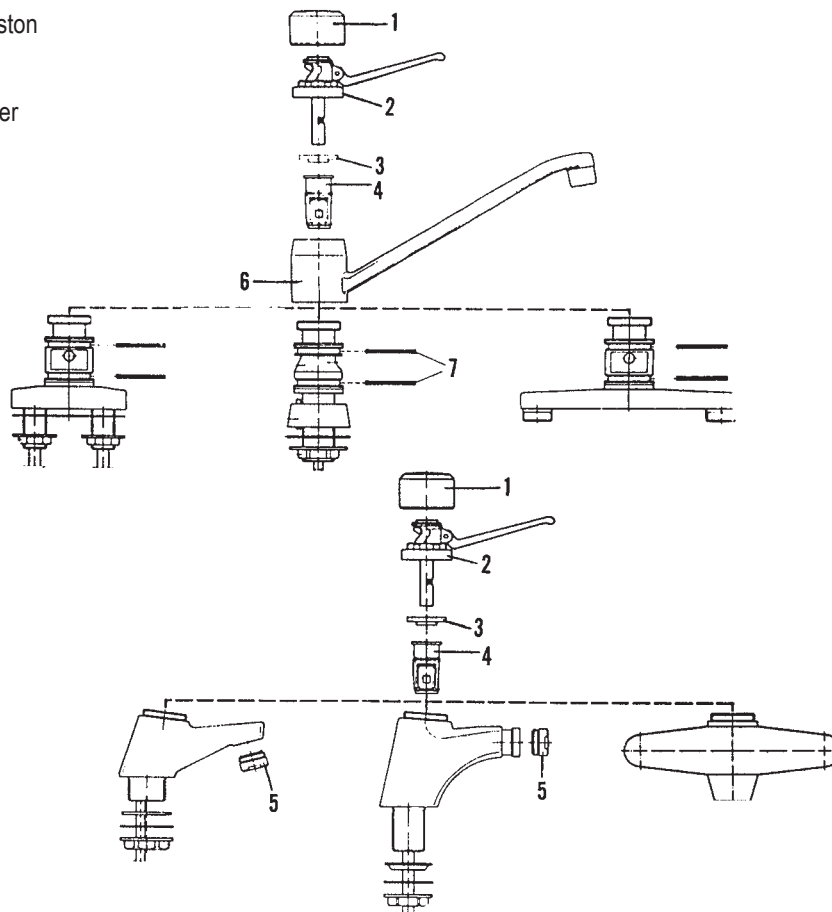
MIXET TUB & SHOWER VALVE

ITEM	PART #	DESCRIPTION
3	25640190	Volume control handle – clear
	25640180	Volume control handle – smoke
4	25640210	Temperature control handle – clear
	25640200	Temperature control handle – smoke
5	25640140	4-1/2" flange – chrome
6	25640120	Stem only
7	25640130	Stem with head nut – chrome
8	25640160	Stem – old style w/ volume knob – clear
9	25640170	Stem retainer nut – chrome
10	25640150	Tub spout – slip on
11	25640110	Diverter button



MORATEMP SINGLE CONTROL LAVATORY & SINK FAUCET

ITEM	PART #	DESCRIPTION
1	32590100	Cap
2	32590110	Handle & valve piston
3	32590120	Washer
4	32590130	Valve cylinder
5	32590140	Stream straightener
6	32590150	Spout
7	32590160	Spout o-rings

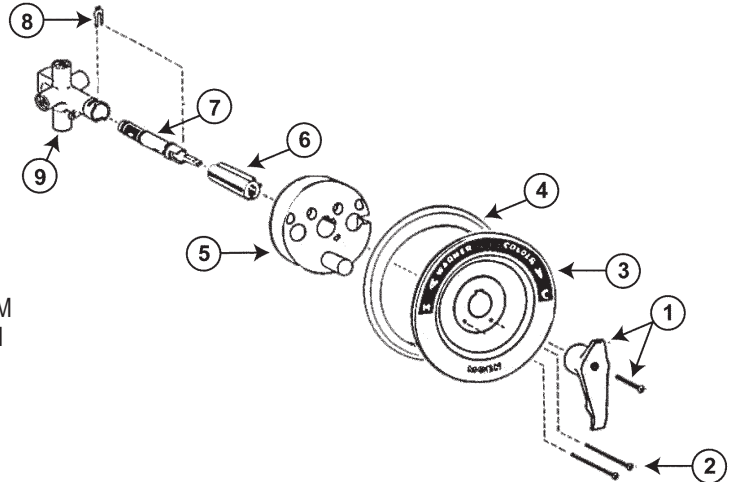


INTERNET INQUIRIES AND ORDERS CALL US TOLL FREE 877-258-2572
www.plumbingspecialties.com

FAUCET REPAIR

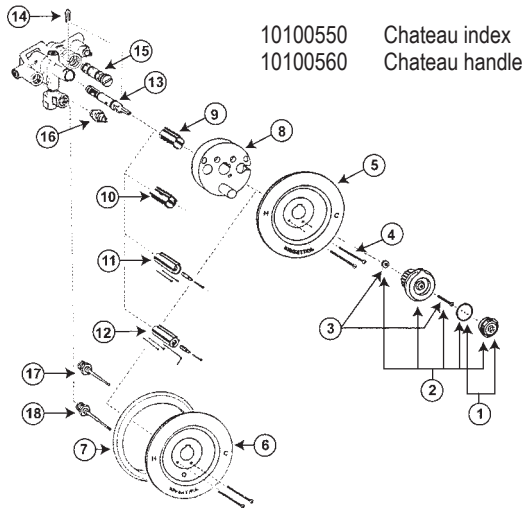
MOEN LEGEND SINGLE HANDLE TUB & SHOWER

ITEM	PART #	DESCRIPTION
1	10621468	Lever handle
2	10620440	Escutcheon screws
3	10621456	Escutcheon
4		Escutcheon extension
5		Plaster guard
6	10621348	Adjustable temperature limit stop
7	10620170	Replacement cartridge – plastic OEM
	10620140	Replacement cartridge – brass OEM
	10100170	Replacement cartridge – plastic non-OEM
	10100140	Replacement cartridge – brass non-OEM
8	10620120	Retainer clip
9		Stop check valve



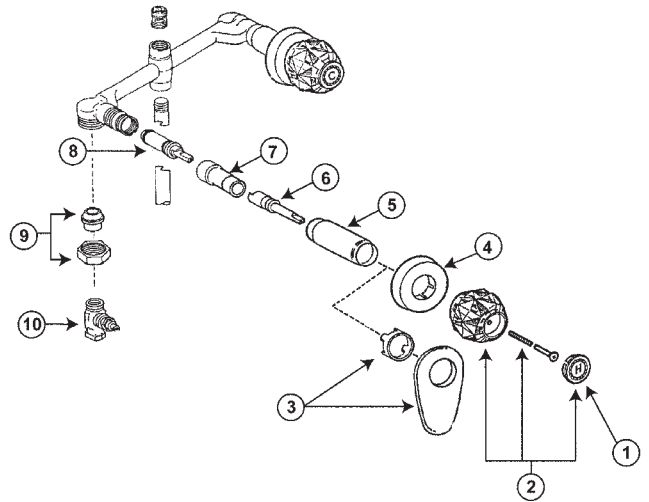
MOEN MOENTROL SINGLE HANDLE TUB & SHOWER

ITEM	PART #	DESCRIPTION
1	10620442	Knob insert kit – chrome
2	10620310	Knob kit – chrome
3	10622262	Screw & washer
4	10620440	Escutcheon screw – chrome
5	10621360	Escutcheon – non-diverter – chrome
6	10621402	Escutcheon – diverter – chrome
7		Escutcheon extension
8		Plaster guard
9	10620410	Stop tube
10	10621336	Adjustable temperature limit stop – chrome
11		1" handle extension – chrome
12		Handle extension w/ adjustable stop
13	10620170	Replacement cartridge – plastic OEM
	10620140	Replacement cartridge – brass OEM
	10100170	Replacement cartridge – plastic non-OEM
	10100140	Replacement cartridge – brass non-OEM
14	10620120	Retainer clip
15	10620430	Balancing spool
16		Stop check valve
17	10620130	Pushbutton diverter
18	10620380	Pushbutton diverter 1" longer



MOEN CHATEAU TWO HANDLE TUB & SHOWER

ITEM	PART #	DESCRIPTION
1	10620710	Knob insert kit
2	10620342	Knob kit
3		Escutcheon – tear drop
4	10620360	Escutcheon kit – round
5	10620361	Cover tube kit
6	10620344	Stem extension
7	10620362	Cartridge nut
8	10620160	Replacement cartridge
9		Union nut & adapter kit
10		Stop valve assembly

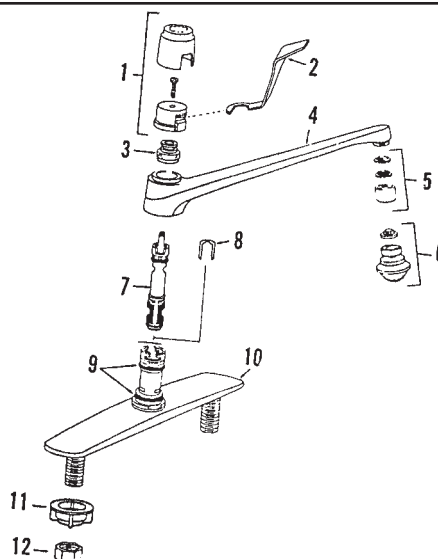


INTERNET INQUIRIES AND ORDERS CALL US TOLL FREE 877-258-2572
www.plumbingspecialties.com

FAUCET REPAIR

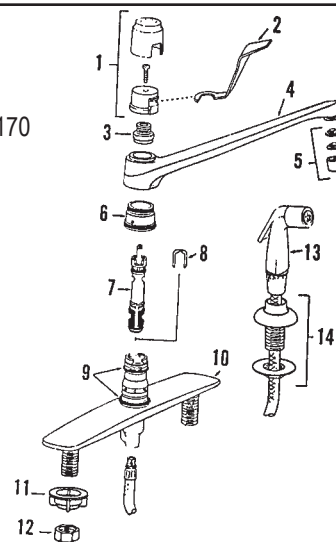
MOEN CHALET SINGLE LEVER KITCHEN

ITEM	PART #	DESCRIPTION
1	10620510	Handle assembly kit
2	10620490	Handle lever
3	10620480	Pivot nut
4	10620580	Spout
5	45971004	Aerator
6	45163010	Swing & spray aerator
7	10620170	Replacement cartridge – plastic
	10620140	Replacement cartridge – brass
	10100170	Generic replacement cartridge – plastic
	10100140	Generic replacement cartridge – brass
8	10620200	Retainer clip
9	10620100	Spout o-ring kit
10		Escutcheon body
11	21940315	Locknut
12	51000040	Coupling nut



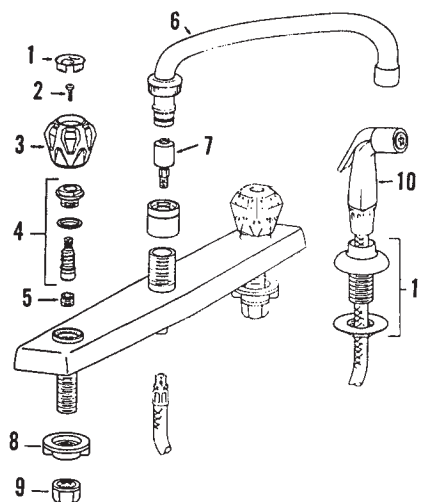
MOEN CHALET SINGLE LEVER KITCHEN W/ SPRAY

ITEM	PART #	DESCRIPTION	ITEM	PART #	DESCRIPTION
1	10620510	Handle assembly kit	14	45731002	Hose guide assembly
2	10620490	Handle lever		10620505	Repair kit for # 10620170 cartridge
3	10620480	Pivot nut			
4	10620500	Spout			
5	45971004	Aerator			
6	10620590	Diverter			
7	10620170	Replacement cartridge – plastic OEM			
	10620140	Replacement cartridge – brass OEM			
	10100170	Replacement cartridge – plastic non-OEM			
	10100140	Replacement cartridge – brass non-OEM			
8	10620200	Retainer clip			
9	10620100	Spout o-ring kit			
10		Escutcheon body			
11	21940315	Locknut			
12	51000040	Coupling nut			
13	45731010	Spray head & hose assembly			



MOEN CHALET TWO HANDLE KITCHEN

ITEM	PART #	DESCRIPTION
1	10620710	Handle knob insert
2	10622308	Knob screw
3	10620720	Knob handle
4	43681006	Stem & bonnet
5	42000760	Seat
6	10622318	Spout assembly
7	45732006	Diverter
8	21940315	Locknut
9	51000040	Coupling nut
10	45731010	Spray head & hose assembly
11	45731002	Hose guide assembly



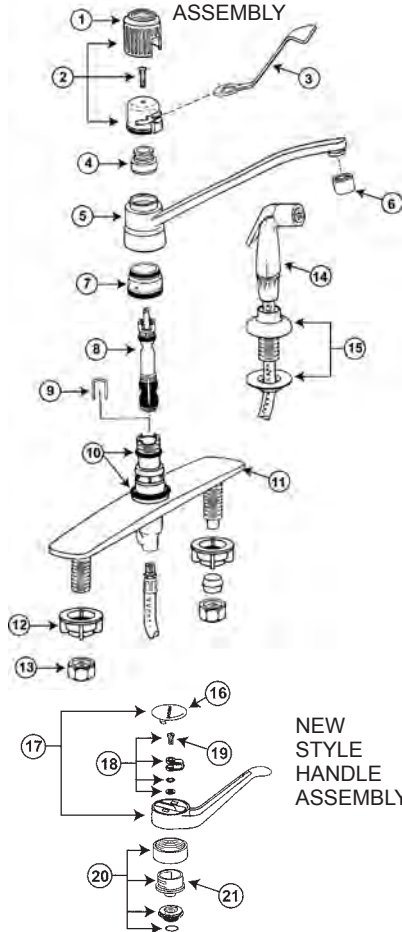
INTERNET INQUIRIES AND ORDERS CALL US TOLL FREE 877-258-2572
www.plumbingspecialties.com

FAUCET REPAIR

MOEN CHATEAU SINGLE LEVER KITCHEN W/ SPRAY

ITEM	PART #	DESCRIPTION
1	10620360	Cap & emblem
2	10620530	Handle assembly kit
3	10620260	Lever handle
4	10620480	Pivot nut
5	10622136	Spout
6	45971004	Aerator
7	10620590	Diverter
8	10620170	Replacement cartridge – plastic
	10620140	Replacement cartridge – brass
9	10620200	Retainer clip
10	10620100	Spout o-ring kit
11		Escutcheon body
12	21940315	Locknut
13	51000040	Coupling nut
14	45731010	Spray head & hose assembly
15	45731002	Hose guide assembly
16		Cap (specify Chrome, Sand or Glacier)
17		Handle assembly (specify Chrome, Sand or Glacier)
18	10620211	Connector kit
19		Handle screw
20		Collar & nut kit
21		Pivot retainer

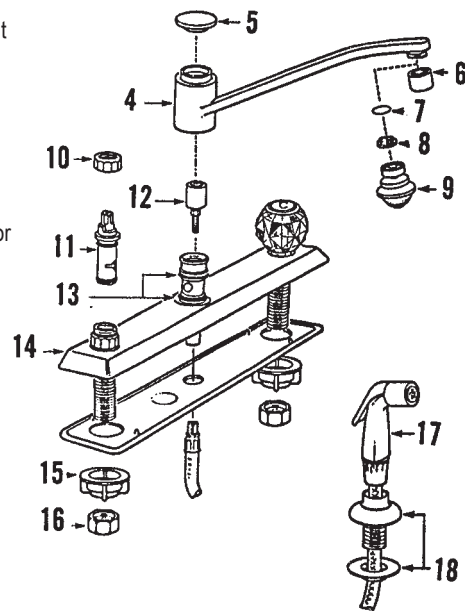
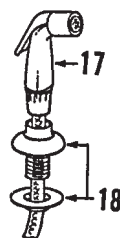
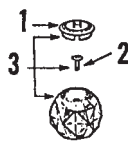
OLD STYLE HANDLE ASSEMBLY



NEW STYLE HANDLE ASSEMBLY

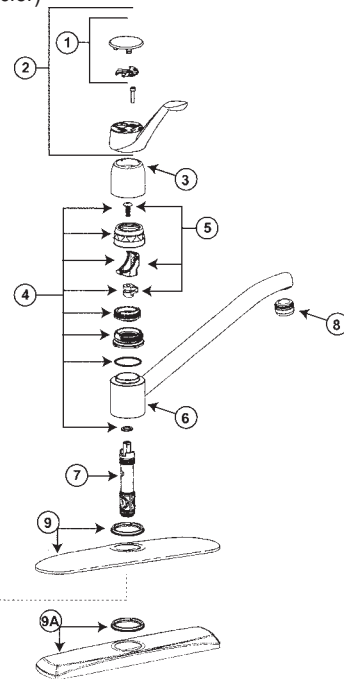
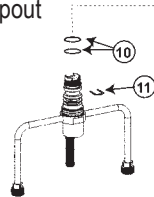
MOEN CHATEAU TWO HANDLE KITCHEN

ITEM	PART #	DESCRIPTION
1	10620350	Handle knob insert kit
2	10621418	Handle screw
3	10620340	Handle knob kit
4	10621460	Spout assembly kit
5	10621458	Spout cap w/o-ring
6	45971004	Aerator
7	10621238	Adapter gasket
8	10621346	Adapter bushing
9	45163010	Swing & spray aerator
10	10622160	Cartridge nut
11	10620160	Replacement cart.
12	10622166	Diverter
13	10620100	Spout o-ring kit
14		Escutcheon body
15	21940315	Locknut
16	51000040	Coupling nut
17	45731010	Spray assy.
18	45731002	Hose guide



MOEN CHATEAU SINGLE-HANDLE KITCHEN FAUCET

ITEM	PART #	DESCRIPTION
1		Cap and Temperature indicator kit (specify Chrome, Sand or Glacier)
2		Handle kit (specify Chrome, Sand or Glacier)
3		Dome (specify Chrome, Sand or Glacier)
4	10626130	Handle mechanism kit
5	10626140	Handle kit
6		Spout assembly
7	10620170	Replacement cartridge
8		Spout assembly
9		Escutcheon kit (specify Chrome, Sand, or Glacier)
9A		Escutcheon Kit (Chrome)
10	10620100	Spout O-ring kit (also included in spout assembly)
11	10620200	Retainer clip

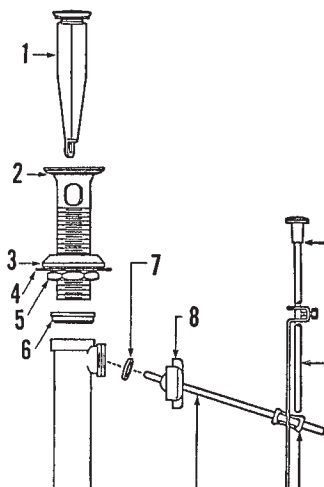


INTERNET INQUIRIES AND ORDERS CALL US TOLL FREE 877-258-2572
www.plumbingspecialties.com

FAUCET REPAIR

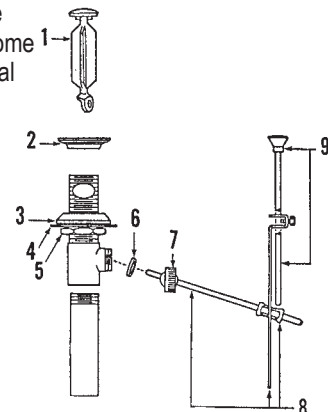
MOEN LAVATORY WASTE 96497

ITEM	PART #	DESCRIPTION
1	10620212	Stopper – waste plug
2	10620266	Waste seal kit
3	10620272	Gasket
4	10620274	Washer
5	10621406	Mounting nut
6	10621356	Seal
7	10621404	Pivot seat
8	10621358	Pivot nut
9	10620268	Pivot rod w/clip
10	10621354	Lift rod & knob



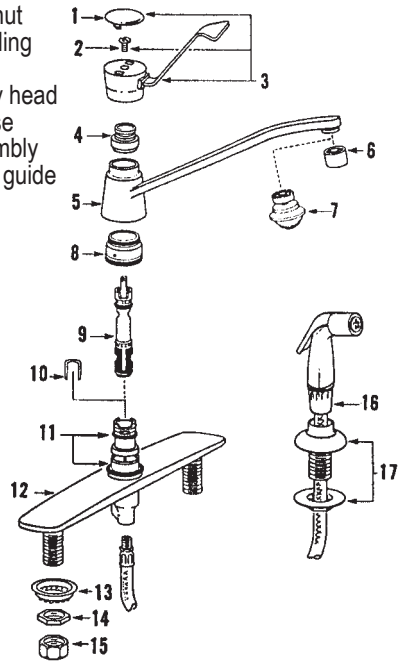
MOEN LAVATORY WASTE 10790

ITEM	PART #	DESCRIPTION
1	10620240	Stopper – plastic
	10620250	Stopper – chrome
2	10620128	Waste seat – chrome
3	10620264	Bottom gasket seal
4	10620152	Washer
5	10620154	Mounting nut
6	10620370	Pivot rod seat
7	10620375	Pivot rod nut
8	10620270	Pivot rod & clip
9	10620280	Lift rod & knob



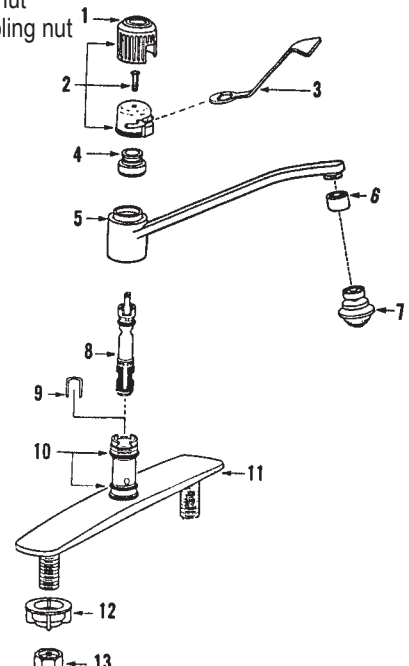
MOEN LEGEND SINGLE LEVER KITCHEN

ITEM	PART #	DESCRIPTION
1	10621152	Cap
2	10620180	Handle screw
3	10620210	Handle assembly kit
4	10620480	Pivot nut
5	10622106	Spout assembly kit
6	45971004	Aerator
7	45163010	Swing & spray aerator
8	10620590	Diverter
9	10620170	Replacement cartridge – plastic
	10620140	Replacement cartridge – brass
10	10620200	Retainer clip
11	10620100	Spout o-ring kit
12		Escutcheon body
13	51000044	Deep rosette
14	51000046	Locknut
15	51000040	Coupling nut
16	45731010	Spray head & hose assembly
17	45731002	Hose guide



MOEN CHATEAU SINGLE LEVER KITCHEN

ITEM	PART #	DESCRIPTION
1	10620630	Cap & emblem
2	10620530	Handle assembly kit
3	10620260	Handle lever
4	10620480	Pivot nut
5	10620110	Spout assembly
6	45971004	Aerator
7	45163010	Swing & spray aerator
8	10620170	Replacement cartridge – plastic
	10620140	Replacement cartridge – brass
9	10620200	Retainer clip
10	10620100	Spout o-ring kit
11		Escutcheon body
12	21940315	Locknut
13	51000040	Coupling nut

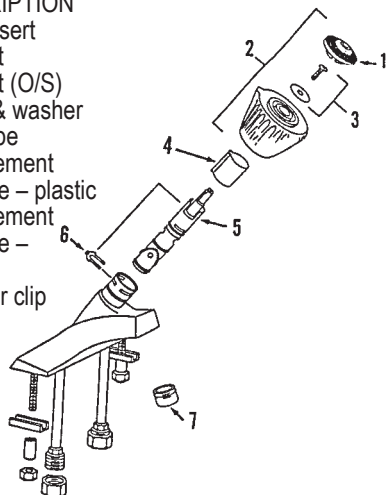


INTERNET INQUIRIES AND ORDERS CALL US TOLL FREE 877-258-2572
www.plumbingspecialties.com

FAUCET REPAIR

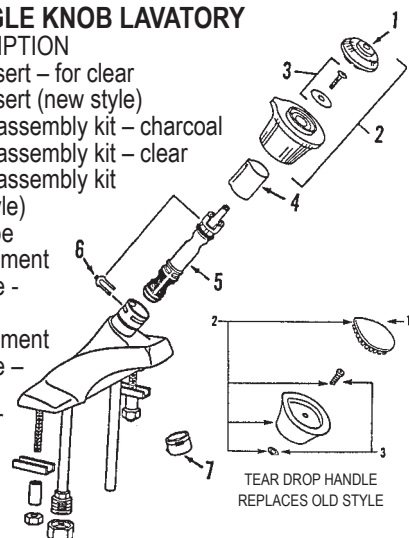
MOEN LEGEND SINGLE KNOB LAVATORY

ITEM	PART #	DESCRIPTION
1	10620442	Knob insert
2	10620300	Knob kit
3	10100300	Knob kit (O/S)
3	10622260	Screw & washer
4	10620150	Stop tube
5	10620170	Replacement cartridge – plastic
	10620140	Replacement cartridge – brass
6	10620120	Retainer clip
7	45971002	Aerator



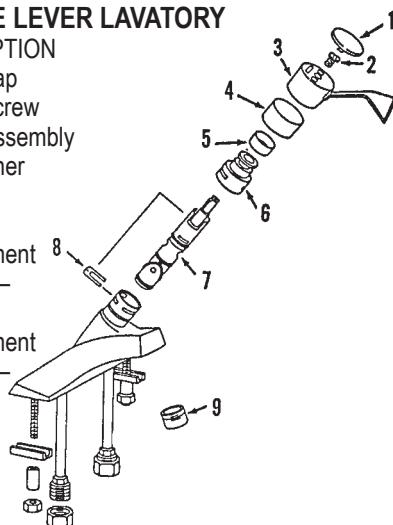
MOEN CHATEAU SINGLE KNOB LAVATORY

ITEM	PART #	DESCRIPTION
1	10620550	Knob insert – for clear
	10100550	Knob insert (new style)
2	10620330	Handle assembly kit – charcoal
3	10620540	Handle assembly kit – clear
	10100540	Handle assembly kit (new style)
4	10620150	Stop tube
5	10620170	Replacement cartridge – plastic
	10620140	Replacement cartridge – brass
6	10620120	Retainer clip
7	45971002	Aerator



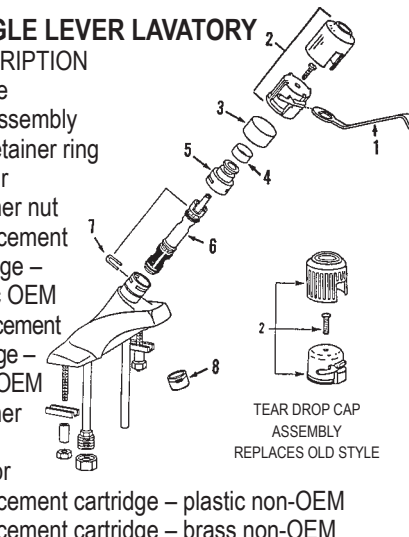
MOEN LEGEND SINGLE LEVER LAVATORY

ITEM	PART #	DESCRIPTION
1	10621152	Handle cap
2	10620180	Handle screw
3	10620460	Handle assembly
4	10620400	Clip retainer
5	10620190	Spacer
6	10620390	Pivot ring
7	10620170	Replacement cartridge – plastic
	10620140	Replacement cartridge – brass
8	10620450	Retainer clip
9	45971002	Aerator



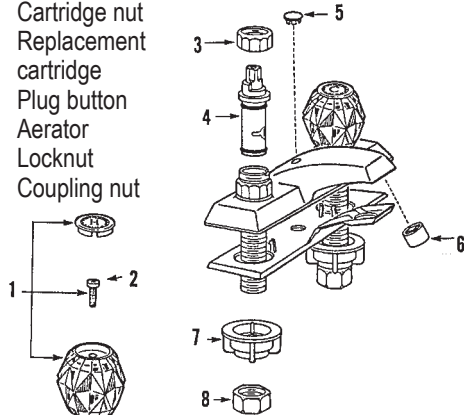
MOEN CHATEAU SINGLE LEVER LAVATORY

ITEM	PART #	DESCRIPTION
1	10620640	Handle
2	10620530	Cap assembly
3	10620400	Clip retainer ring
4	10620190	Spacer
5	10620390	Retainer nut
6	10620170	Replacement cartridge – plastic OEM
	10620140	Replacement cartridge – brass OEM
7	10620450	Retainer clip
8	45971002	Aerator
	10100170	Replacement cartridge – plastic non-OEM
	10100140	Replacement cartridge – brass non-OEM



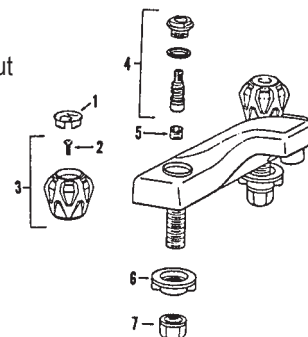
MOEN CHATEAU TWO HANDLE LAVATORY

ITEM	PART #	DESCRIPTION
1	10620350	Knob & insert kit – chrome
2	10620340	Knob screw – chrome
3	10622160	Cartridge nut
4	10620160	Replacement cartridge
5	10621340	Plug button
6	45971002	Aerator
7	21940315	Locknut
8	51000040	Coupling nut



MOEN CHALET TWO HANDLE LAVATORY

ITEM	PART #	DESCRIPTION
1	10620710	Handle knob insert
2	10622308	Knob screw
3	10620720	Knob handle kit
4	43681006	Stem & bonnet
5	42000760	Seat
6	21940315	Locknut
7	51000040	Coupling nut

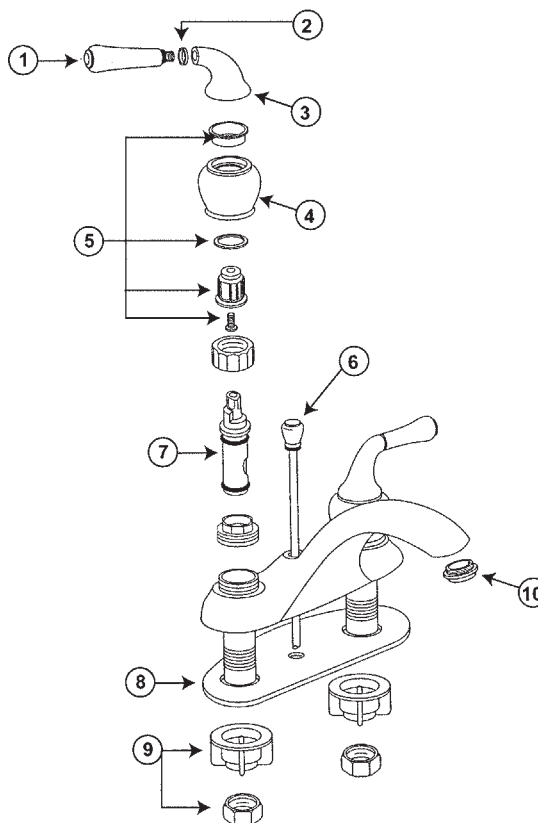


INTERNET INQUIRIES AND ORDERS CALL US TOLL FREE 877-258-2572
www.plumbingspecialties.com

FAUCET REPAIR

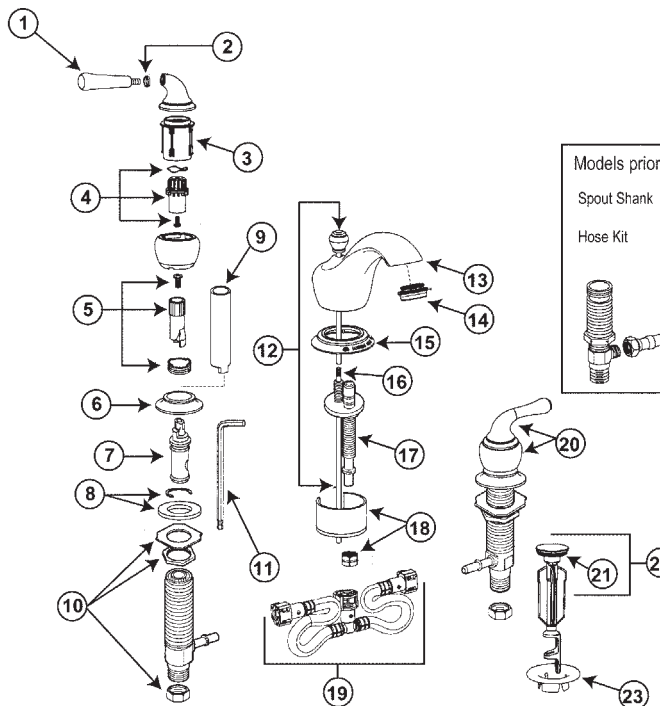
MOEN MONTICELLO 2 HANDLE LAVATORY FAUCET

ITEM	PART #	DESCRIPTION
1		Lever handle insert kit (specify Chrome, Polished Brass, Porcelain/Chrome, Porcelain/Polished Brass, Acrylic/Chrome or Acrylic/Polished Brass)
2		Washer kit
3		Handle elbow kit
4		Handle hub kit
5	10627540	Hot and cold adapter kit
6		Lift rod & knob
7	10620160	Replacement Cartridge
8		Deck gasket kit
9		Hardware package
10		Aerator kit



MOEN MONTICELLO 2 HANDLE WIDESPREAD LAVATORY FAUCET

ITEM	PART #	DESCRIPTION
1		Lever handle insert kit
2		Washer kit
3		Large chassis
4	10620523	Handle adapter kit
5	10627492	Hot and cold stem extension kit
6		Escutcheon
7	10620160	Replacement cartridge
8		Mounting hardware
9	10620347	Cartridge removal tool
10		Hardware package
11		Installation tool
12		Upper & lower lift rod, strap and knob kit
13		Spout kit (chrome)
14		Aerator kit
15		Spout escutcheon
16		Set screw
17		Spout shank & o-rings
18		Hardware kit
19		Hydrolock™ and supply hose kit
20		Hub & elbow assembly
21		Pop-up o-ring
22		Pop-up & o-ring
23		Drain seat

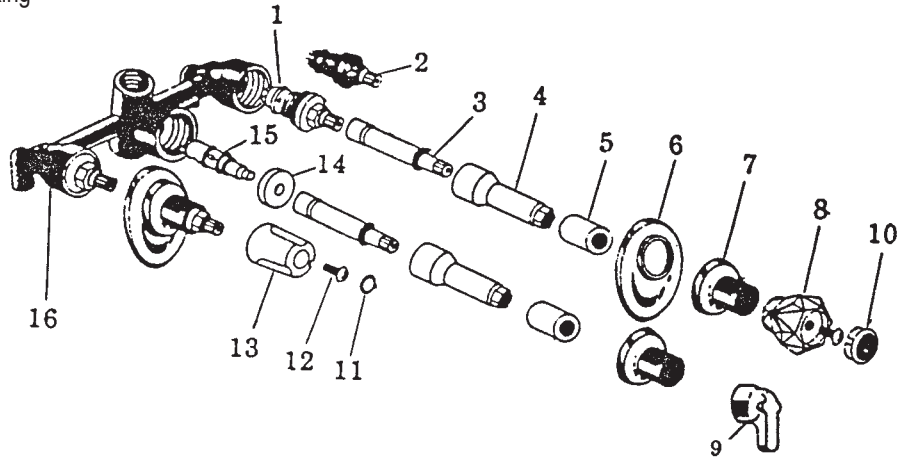


INTERNET INQUIRIES AND ORDERS CALL US TOLL FREE 877-258-2572
www.plumbingspecialties.com

FAUCET REPAIR

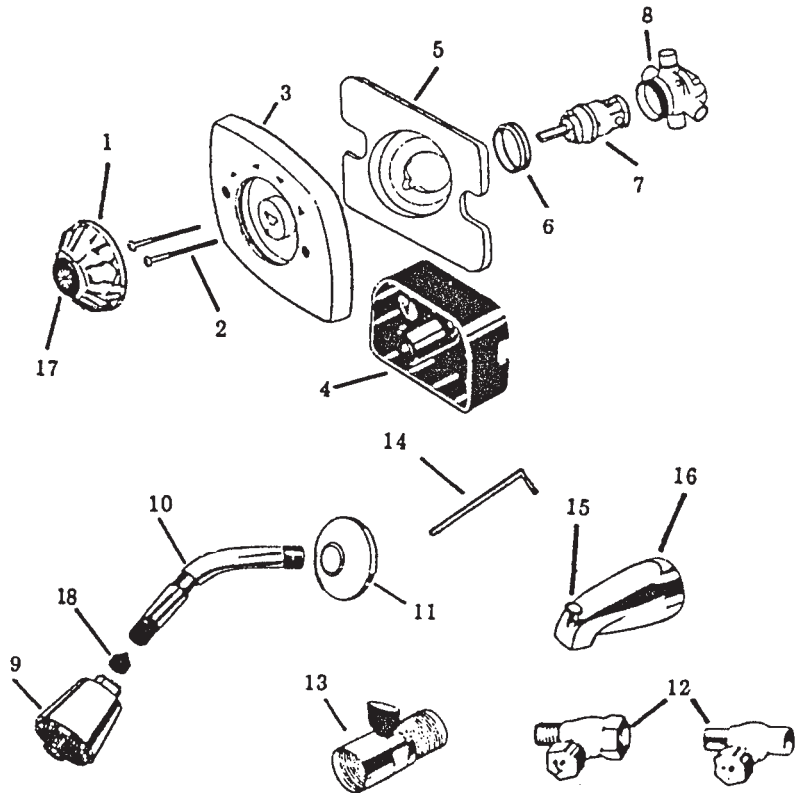
NIBCO 500 SERIES TUB & SHOWER VALVE

ITEM	PART #	DESCRIPTION
1	43501001	Cartridge
2	43501002	Reverse cartridge
3	11500230	Stem extension w/ o-Ring
4	11500225	Sleeve
5		Tube
6	11500860	Teardrop escutcheon
7	11500160	Escutcheon
8	11500290	Acrylic handle
9	11500870	Blade handle-Hot
	11500872	Blade handle-Cold
10	11500270	Index - cold
	11500272	Index - hot
11	11500280	Index - hot
	11500260	Index - cold
12	11500310	Screw
13	11500120	Chrome ABS handle
14	11500325	Thrust washer
15	11500220	Diverter stem
15A	41001003	O-ring
15B	41001037	O-ring
16		Valve Underbody



NIBCO 600 SERIES TUB & SHOWER VALVE

ITEM	PART #	DESCRIPTION
1	11500880	Handle-Clear
2	11500885	Cover Screws
3	11500890	Stop Ring & Cover Assy.
4	11500915	Plastic Guard
5	11500895	Support Plate
6	11500780	Hold Down Ring
7	11500170	Cartridge-Regular
	11500875	Cartridge-Back to Back
8		Underbody
9	79001006	Imsco Shower Head
10	79211066	Imsco Shower Arm
11	44730104	Imsco Shower Flange
12	11500905	Integral Stop (FExM)
	11500900	Integral Stop (SWP)
13	11500910	Volume Control
14		Allen wrench
15		Diverter spout
16		Tub filler spout
17	11500320	Handle button
18	79211085	Flow control

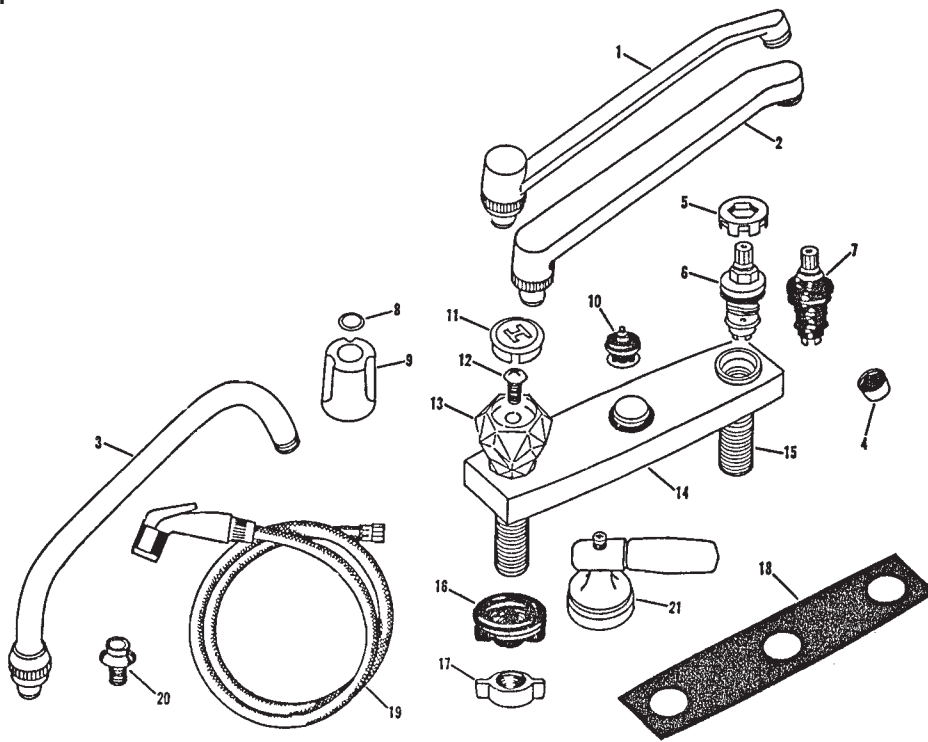


INTERNET INQUIRIES AND ORDERS CALL US TOLL FREE 877-258-2572
www.plumbingspecialties.com

FAUCET REPAIR

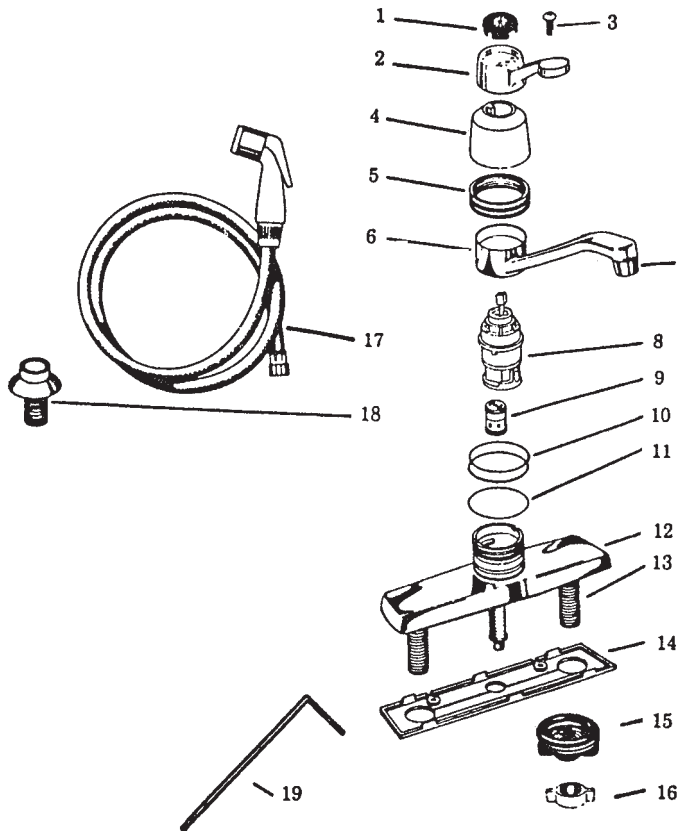
NIBCO 200 SERIES KITCHEN FAUCET

ITEM	PART #	DESCRIPTION
1	11500740	D Spout (Brass)
2	11500730	D Spout (Plastic)
3	11500720	Tube Spout
4	45971004	Aerator
5	11500252	Lock Ring
6	43501001	Cartridge
7	43501002	Reverse Cartridge
8	11500280	Hot Index
	11500260	Cold Index
9	11500120	Handle
10	11500300	Diverter
11	11500700	Hot Index
	11500690	Cold Index
12	11500310	Handle screw
13	11500290	Handle
14		Plated Cover
15	11500130	Underbody – with Spray – NLA
	11500250	Underbody – no Spray – NLA
16	11500620	Locknut
17	11500610	Coupling Nut
18	11500660	Putty Plate
19	45001010	Hose & Spray
20	45731002	Hose Guide
21		Lever Handle



NIBCO 300 SERIES KITCHEN FAUCET

ITEM	PART #	DESCRIPTION
1	11500320	Handle Button
2	11500235	Handle
3	11500750	Screw
4	11500770	Decorative Cap
5	11500780	Hold Down Ring
6	11500800	Spout
7	45971004	Aerator
8	11500140	Cartridge w/ Diverter
	11500150	Cartridge w/o Diverter
9	11500850	Diverter
10	11500810	Hub O-Ring
11	11500820	Friction Washer
12		Cover
13	11500138	Underbody w/ Spray – NLA
	11500240	Underbody No Spray – NLA
14	11500830	Putty Plate
15	11500620	Lock Nut
16	11500610	Coupling Nut
17	45001010	Hose & Spray
18	45731002	Hose Guide
19		Allen wrench

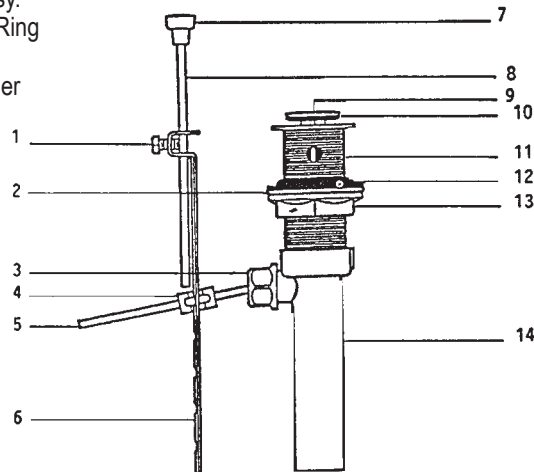


INTERNET INQUIRIES AND ORDERS CALL US TOLL FREE 877-258-2572
www.plumbingspecialties.com

FAUCET REPAIR

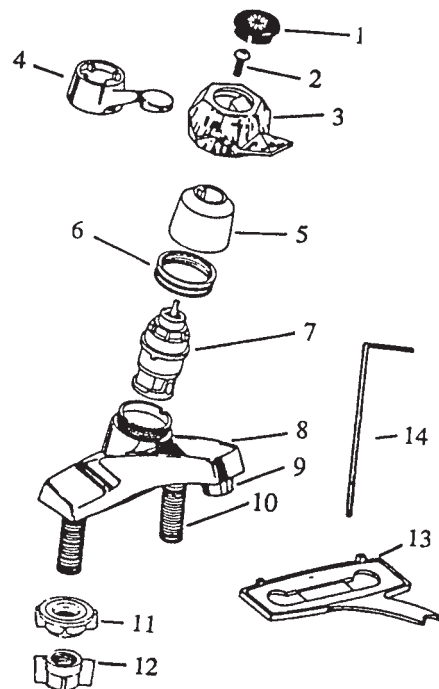
NIBCO 700 SERIES LAVATORY POP-UP

ITEM	PART #	DESCRIPTION
1	11500925	Lower Lift Strap Screw
2	11500930	Friction Washer
3	11500610	Ball Nut
4	11500340	Spring Clip
5	11500190	Ball Rod
6	11500920	Lower Lift Strap
7	11500935	Upper Pull Rod Knob
7-8	11500935	Pop-up rod & knob assy.
9	11500180	Stopper Assy.
10	41001064	Stopper O-Ring
11	11500210	Flange
12	11500950	Mack Washer
13	11500955	Locknut
14	11500200	Tailpiece



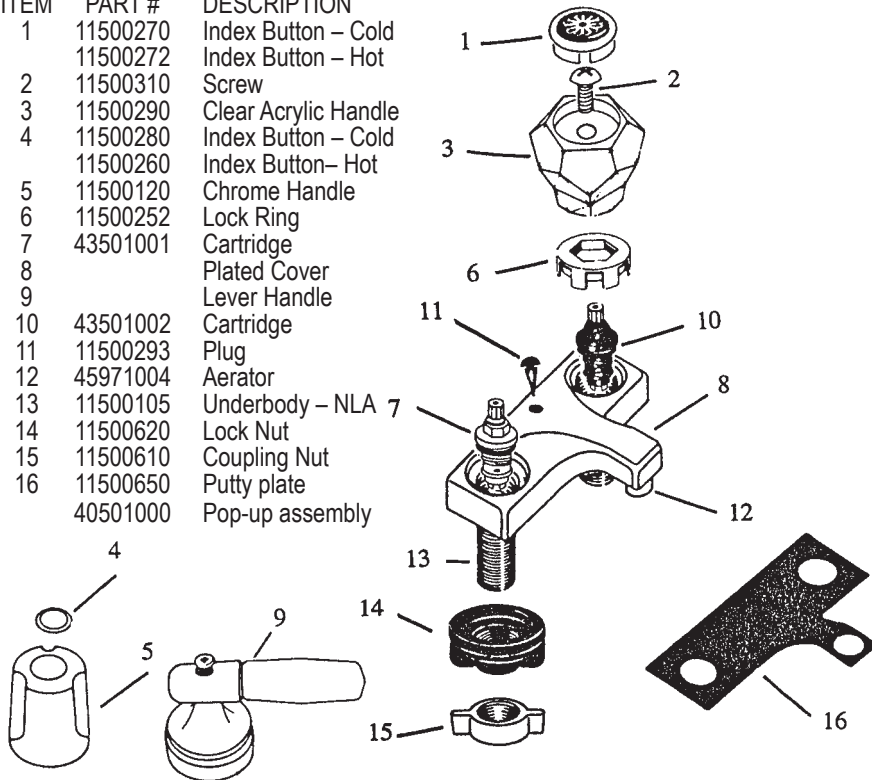
NIBCO 400 SERIES LAVATORY FAUCET

ITEM	PART #	DESCRIPTION
1	11500320	Handle Button
2	11500750	Handle Screw
3	11500760	Acrylic Handle-Clear
4	11500235	Lever Handle
5	11500770	Decorative Cap
6	11500780	Hold Down Ring
7	11500150	Cartridge
8		Plate Cover
9	45971004	Aerator
10	11500100	Underbody - NLA
11	11500620	Lock Nut
12	11500610	Coupling Nut
13	11500790	Putty Plate
14		Allen wrench
15	40501000	Pop-Up Assembly



NIBCO 100 SERIES LAVATORY FAUCET

ITEM	PART #	DESCRIPTION
1	11500270	Index Button - Cold
	11500272	Index Button - Hot
2	11500310	Screw
3	11500290	Clear Acrylic Handle
4	11500280	Index Button - Cold
	11500260	Index Button - Hot
5	11500120	Chrome Handle
6	11500252	Lock Ring
7	43501001	Cartridge
8		Plated Cover
9		Lever Handle
10	43501002	Cartridge
11	11500293	Plug
12	45971004	Aerator
13	11500105	Underbody - NLA
14	11500620	Lock Nut
15	11500610	Coupling Nut
16	11500650	Putty plate
	40501000	Pop-up assembly



Did You Know?

Water regulates the Earth's temperature. It also regulates the temperature of the human body, carries nutrients and oxygen to cells, cushions joints, protects organs and tissues, and removes wastes.

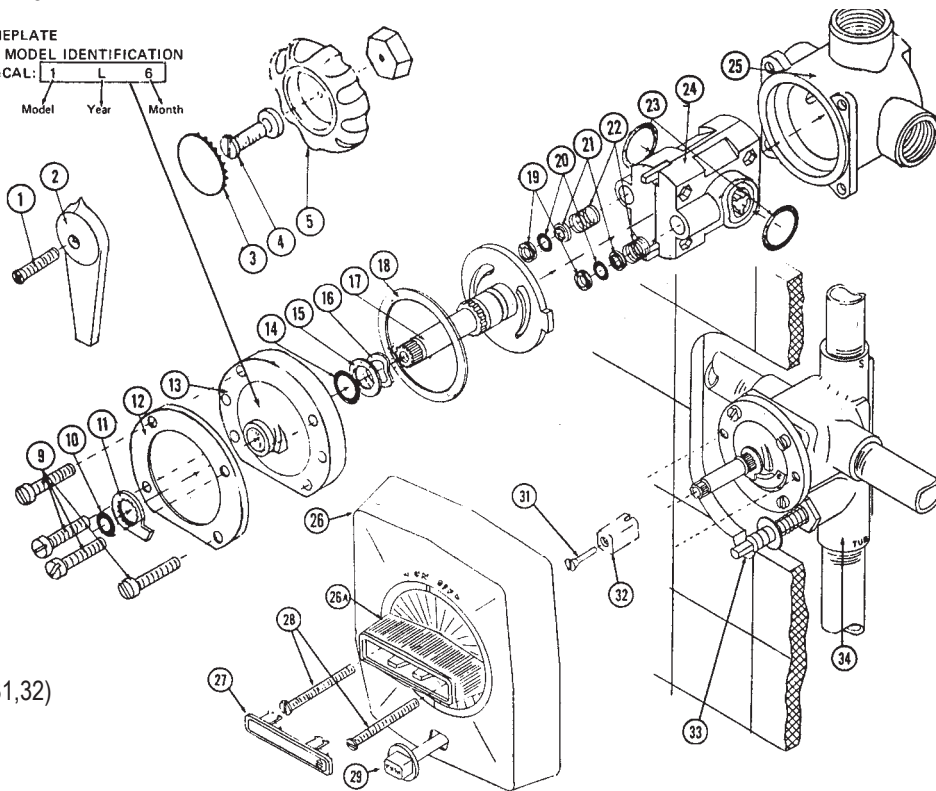
INTERNET INQUIRIES AND ORDERS CALL US TOLL FREE 877-258-2572
www.plumbingspecialties.com

FAUCET REPAIR

POWERS HYDROGUARD 400 MODELS 1-3

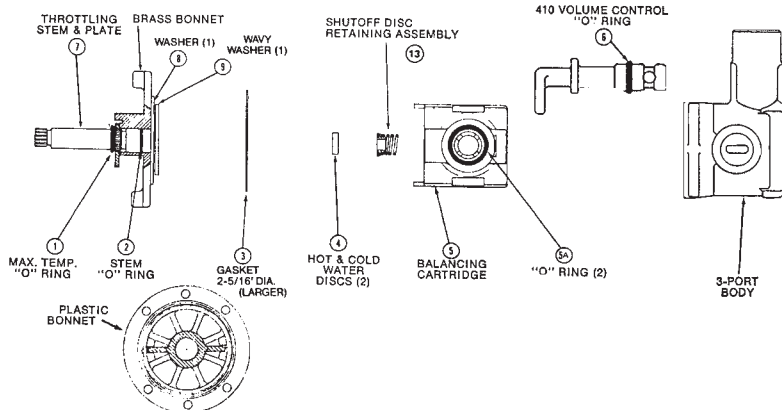
ITEM	PART #	DESCRIPTION
1	24000456	Lever handle screw
2	24000602	Lever handle
3	24000604	Plug button
4	24000450	Handle screw
5	24000242	Handle (items 3,4,5)
9		Bonnet screws (10-24x7/8)
10	41001027	O-Ring (1) (3)
11	24000418	Temperature stop
12		Support ring
13		Bonnet
14	41001027	O-Ring (1) (3)
15	24000412	Flat washer (3)
16	24000414	Wavy washer (3)
17		Adjustment stem (3)
18		Bonnet gasket (1) (2)
19		Shut off disc (1) (2)
20	41001027	O-Ring (2)
21		Guide (2)
22		Spring (2)
23		O-Ring (1) (2)
24		Cartridge (2)
25		Body
26		Dial plate (items 27,28,31,32)
26A		Handle
27	24000600	Plug button
28		Screw (8-32x2)
29		Diverter knob assy.
30		Dial plate w/diverter assy.
31		Screw (8-32x1/2)
32		Stern guide
33		Diverter kit (includes item 30)
34		Body

NAMEPLATE FOR MODEL IDENTIFICATION
TYPICAL: 1 6
Model Year Month



- (1) Gasket & disc replacement kit IMSCO Part # 24000350
- (2) Balancing cartridge kit IMSCO Part # 24000400
- (3) Stem & plate replacement kit IMSCO Part # 24000424

TROUBLE SHOOTING	REPAIR KIT	WHERE USED	KIT CONTAINS
1. Water leak at stem and/or bonnet. 2. Flow continues after mixer is turned off.	24000350	All models 400-410	1, 2, 3, 4, 5A, 6, & 10
1. Variable or untempered discharge temperature 2. Flow continues after mixer is turned off.	24000400	Models 1-3 400 & 410	3, 4, 5A, & 13
1. Flow continues after mixer is turned off. 2. Handle splines on stem damaged.	24000424	Models 1-3	1, 2, 3, 7, 8, & 9

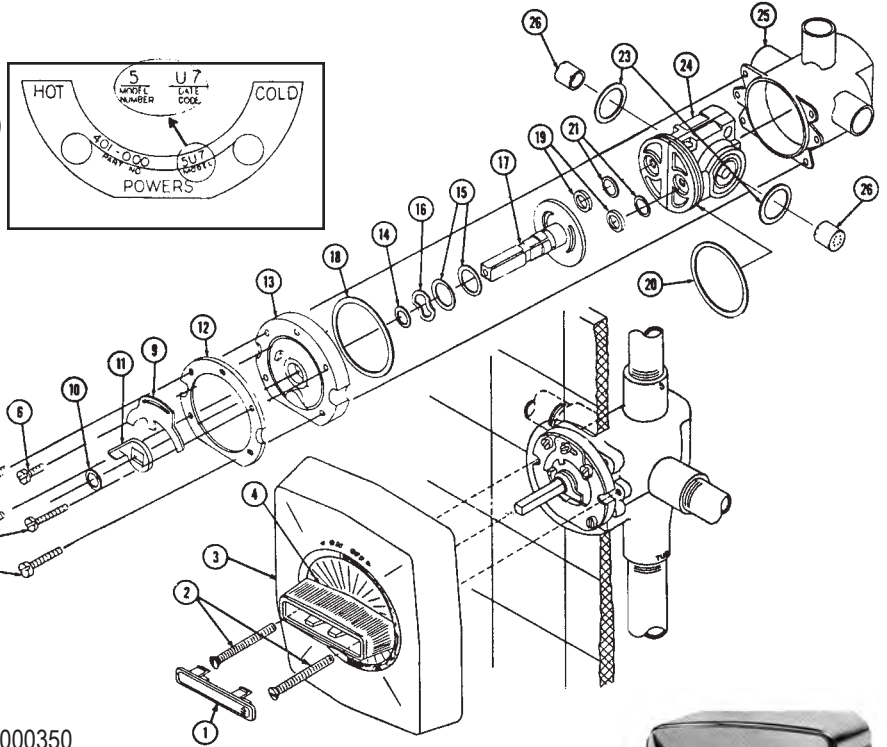
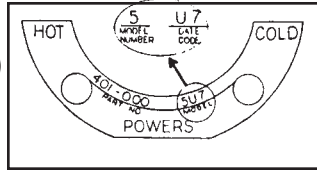


INTERNET INQUIRIES AND ORDERS CALL US TOLL FREE 877-258-2572
www.plumbingspecialties.com

FAUCET REPAIR

POWERS HYDROGUARD 400 MODELS 4-6

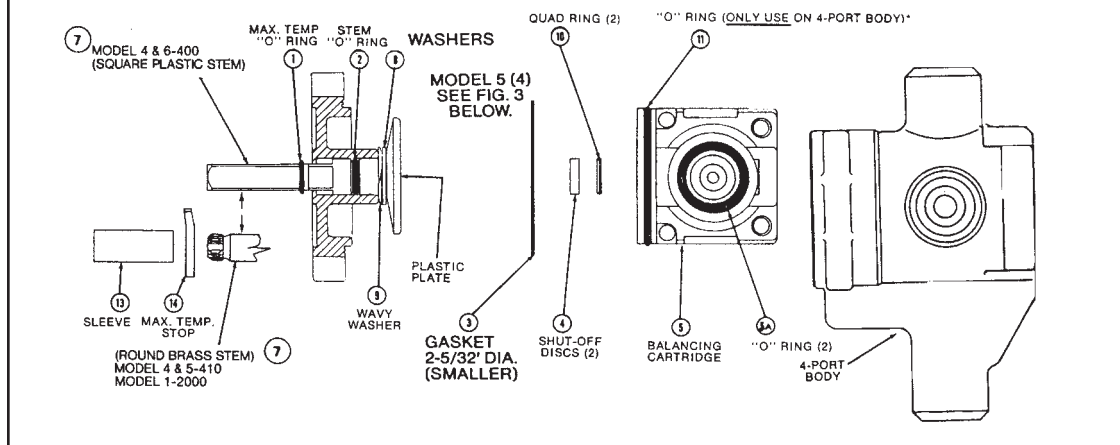
ITEM	PART #	DESCRIPTION
1	24000600	Plug button
2		Screws
3	24000260	Dial assembly (items 1 thru 3)
5		Bonnet screws (10-32x1)
6		Adjustment stop screw
9		Adjustment stop
10	41001027	O-Ring
11		Max. temperature stop
12		Support ring
13		Bonnet
14	41001027	O-Ring
15	24000412	Flat washer
16	24000414	Wavy washer
17		Throttling stem (3)
18		Bonnet gasket (1) (2) (3)
19		Shut off disc (1) (2)
20		O-Ring (1) (2)
21		Quad rings (1) (2)
23		O-Ring (1) (2)
24		Balance chamber (2)
25		Body -specify 3 or 4 port
26		Strainer caps (2)



- (1) Gasket & disc replacement kit IMSCO Part # 24000350
- (2) Balancing cartridge kit for model 4 & 6 IMSCO Part # 24000250
- (3) Stem & plate replacement kit model 4 & 6 IMSCO Part # 24000300



TROUBLE SHOOTING	REPAIR KIT	WHERE USED	KIT CONTAINS
1. Water leak at stem and/or bonnet. 2. Flow continues after mixer is turned off.	24000350	All models 400-410 2000	1, 2, 3, 4, 5A, 6, & 10 Use item 11 on 4 port body only
1. Variable or untempered discharge temperature. 2. Flow continues after mixer is turned off.	24000250	Models 4 & 6 400 & 410 Model 5, 410	3, 4, 5A, 10, & 11 Use item 11 on 4 port body only
1. Flow continues after mixer is turned off. 2. Handle splines on stem damaged.	24000300 24000424	Model 4 & 6, 400 Model 4 & 5 410 only Model 1, 2000	1, 2, 3, 7, 8, & 9 1, 2, 3, 7, 8, & 9

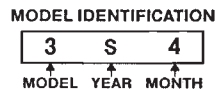
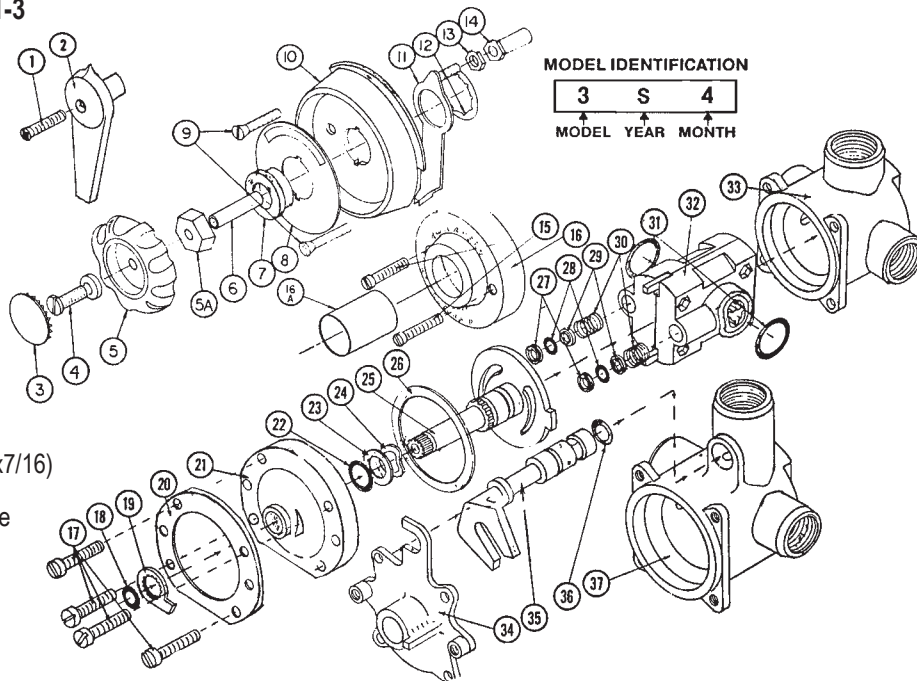


INTERNET INQUIRIES AND ORDERS CALL US TOLL FREE 877-258-2572
www.plumbingspecialties.com

FAUCET REPAIR

POWERS HYDROGUARD 410 MODELS 1-3

ITEM	PART #	DESCRIPTION
1	24000456	Lever handle screw
2	24000602	Lever handle
3	24000604	Plug button
4	24000450	Handle screw
5	24000242	Handle (items 3,4,5)
5A		Handle insert
6		Sleeve
7		Retainer
8		Dial insert
9		Screws
10		Dial plate
11		Volume lever
12		Retainer
13		Nut
14		Sleeve
15		Exposed dial screw (8-32x7/16)
16		Exposed dial
16A		Dial sleeve - specify Lucite or lever
17		Screw (10-24x7/8)
18	41001027	O-Ring (1) (3)
19	24000418	Adjustable limit stop
20		Support ring
21		Bonnet
22	41001027	O-Ring (1) (3)
23	24000412	Flat washer (3)
24	24000414	Wavy washer (3)
25		Stem (3)
26		Bonnet gasket (1) (2) (3)
27		Shut off disc (1)
28	41001027	O-Ring (2)
29		Guide (2)
30		Spring (2)
31		O-Ring (1) (2)
32		Cartridge (2)

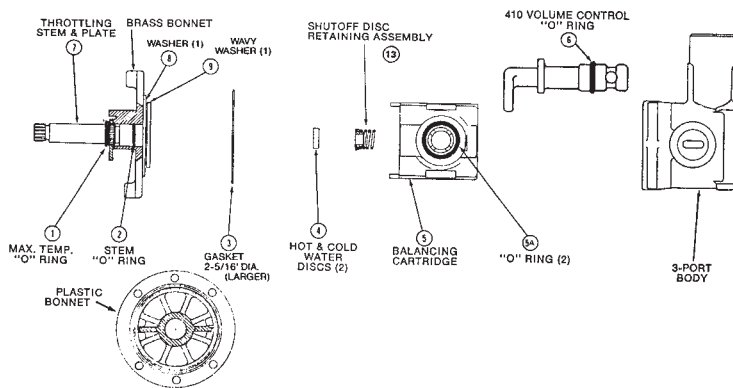


ITEM	PART #	DESCRIPTION
33		Body
34		Bonnet
35		Volume valve assembly
36	41001027	O-Ring (1)
37		Body

- (1) Gasket & disc replacement kit IMSCO Part # 24000350
- (2) Balancing cartridge kit IMSCO Part # 24000400
- (3) Stem & plate replacement kit IMSCO Part # 24000424



TROUBLE SHOOTING	REPAIR KIT	WHERE USED	KIT CONTAINS
1. Water leak at stem and/or bonnet 2. Flow continues after mixer is turned off	24000350	All models 400-410	1,2, 3,4,5A,6 & 10
1. Variable or untempered discharge temperature 2. Leakage after mixer is turned off	24000400 400 & 410	Model 1-3 400 & 410	3,4,5,5A, & 13
1. Flow continues after mixer is turned off 2. Handle splines on stem damaged	24000424	Model 1-3	1,2,3,7,8 & 9

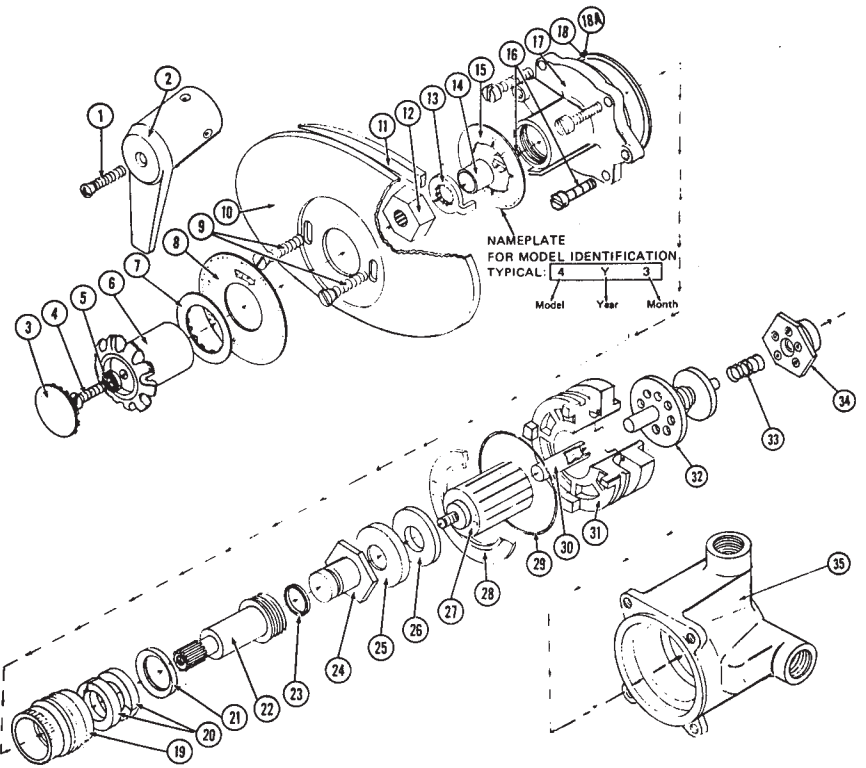


INTERNET INQUIRIES AND ORDERS CALL US TOLL FREE 877-258-2572
www.plumbingspecialties.com

FAUCET REPAIR

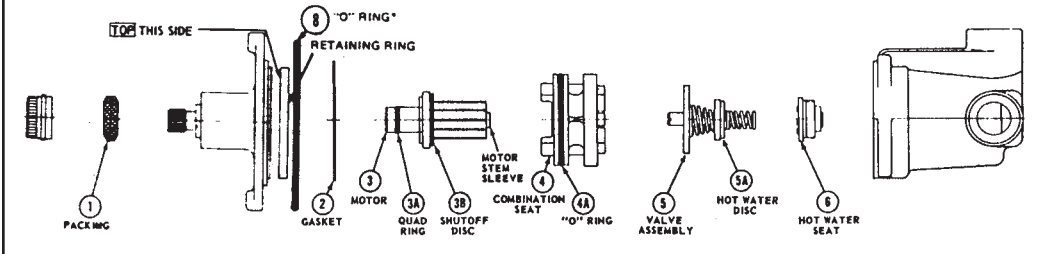
POWERS HYDROGUARD 420

ITEM	PART #	DESCRIPTION
1	24000406	Handle screw
2	24000620	Lever handle assembly
3	24000470	Plug button
4	34990150	Handle screw
5		Washer
6	24000142	Lucite handle w/ sleeve
7		Retainer
8		Dial insert
9		Screw (8-32x1-1/2)
10		Dial plate – concealed oval Dial – exposed round
11		Gasket
12		Handle adapter
13		Temp. stop – models 4,5,6 Temp. stop – model 7
14		Spacer sleeve
15		Identification tag
16		Screw (10-24x9/16)
17		Bonnet
18		Bonnet gasket (1) (2) (3) (4)
18A		Bonnet O-Ring (1) (2) (3) (4)
19		Packing gland
20		Packing rings (1)
21		Packing stop ring
22		Adjustment stem – models 4,5,6 Adjustment stem – model 7
23		Motor quad ring (1) (2)
24		Shut-off disc nut (2)
25		Shut-off disc retainer (2)
26		Shut-off disc (1) (2)
27		Thermal motor (2)
28		Spacer ring
29		Combination seat o-ring (1) (3) (4)
30		Motor sleeve (2) (3)
31		Combination seat (4)
32		Valve assembly (3)



ITEM	PART #	DESCRIPTION
33		Valve return spring (3)
34		Hot water seat (3)
35		Body
(1)		Gasket & disc replacement kit IMSCO Part #24000148
(2)		Motor replacement kit 65-115 F. IMSCO Part #24000150
(3)		Valve & hot water seat kit models 1-4 IMSCO Part #24000146
(3)		Valve & hot water seat kit models 5-7 IMSCO Part #24000200
(4)		Combination seat replacement kit (Std. capacity) IMSCO Part #24000154

TROUBLESHOOTING	REPAIR KIT	WHERE USED	KIT CONTAINS
1. Water leak at stem and/or bonnet.	24000148	All Models	1, 2, 3A, 3B, 4A & 8
2. Flow continues after mixer is turned off.			
3. Variable or untempered discharge temperature.	24000150	All Models	2, 3, 3A, 3B, 7 & 8
4. Flow continues after mixer is turned off due to worn hot water seat – item 6.	24000146	Models 1-4	2, 4A, 5, 6, 7 & 8
5. Variable temperature continues after replacement of motor.	24000200	Models 5-7	2, 4A, 5, 6, 7 & 8
6. Flow of water continues after mixer is turned off and shut-off disc (item 3B) and/or hot water seat (item 6) has been replaced.	24000154	All Models	2, 4, 4A & 8

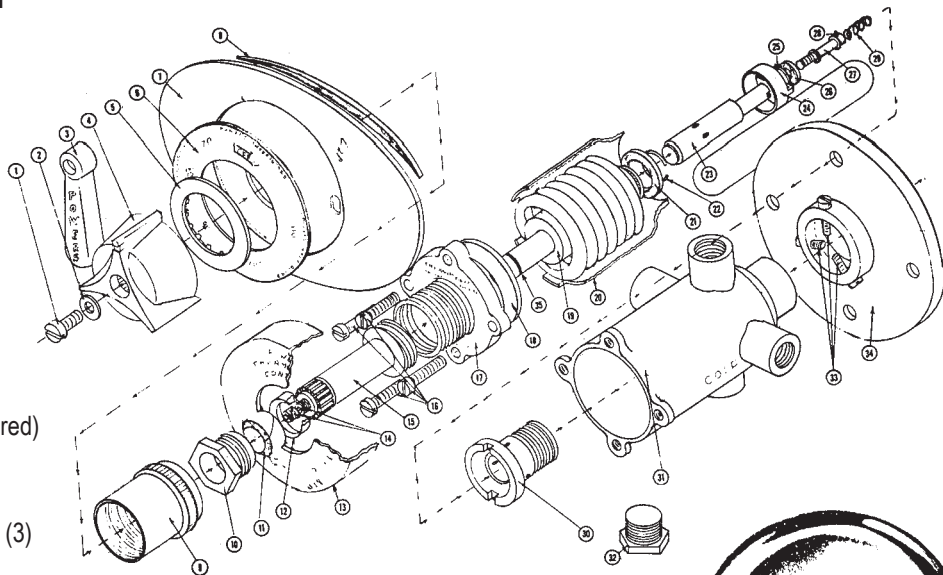


INTERNET INQUIRIES AND ORDERS CALL US TOLL FREE 877-258-2572
www.plumbingspecialties.com

FAUCET REPAIR

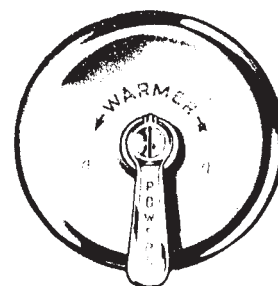
POWERS HYDROGUARD 427/428 "H"

ITEM	PART #	DESCRIPTION
1	24000486	Tri handle screw
		Lever handle screw
2	24000498	Washer (1)
3	24000092	Lever handle
4	24000096	Tri handle
5		Plug button
6		Dial insert
7		Dial plate
8		Dial gasket
9		Lock ring
10		Packing gland
11		Packing ring (1)
12		Packing stop ring
13		Dial plate – exposed
14		Limit screws (2 required)
15		Adjustment stem
16		Bonnet screws
17		Bonnet
18		Bonnet gasket (1) (2) (3)
19		Thermal motor (3)
20		Baffle cylinder
21		Shut-off disc (1) (3)
22		Retainer ring (1)
23		Overload spring assembly (2)
24		Mixer piston (2)
25		Washer (5 GPM only) (2)
26		Valve disc (2)
27		Disc holder (2)
28		Retaining screw (1) (2)
29		Return spring (2)
30		Piston cylinder (2)



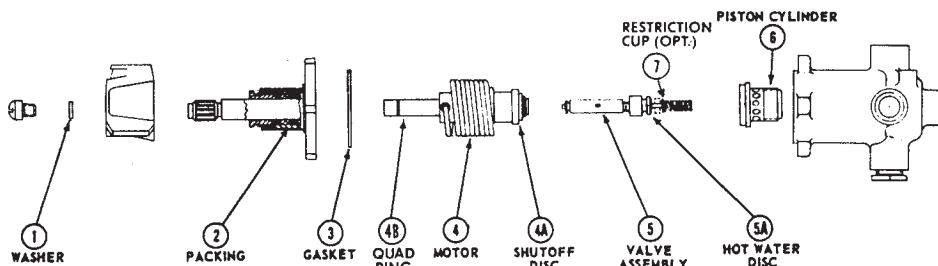
ITEM	PART #	DESCRIPTION
31		Body
32		Pipe plug
33		Screw (1/4-20x3/8)
34		Wall flange
35		Quad ring (1) (3)

(1) Gasket & disc replacement kit – IMSCO Part # 24000102
 (2) Valve & cylinder kit – 5 GPM IMSCO Part # 24000108
 (3) Motor replacement kit 65 – 115 F. IMSCO Part # 24000114



TROUBLE SHOOTING	REPAIR KIT	WHERE USED	KIT CONTAINS
1. Water leak at stem and/or bonnet.	24000099	All models	1,2, 3,4A ,4B & 5A
2. Flow continues after mixer is turned off			
3. Variable or untempered discharge temperature (Lime deposits can be removed by use of various commercially available products.)	24000108	All models *	3,5,5A,6 & 7
4. If items 5 & 6 are free of lime and free moving and discharge temperature is variable or untempered	24000114	All models	3,4,4A & 4B

* The valve assembly (item 5) and cylinder (item 6) must both be replaced at the same time when using this kit. Do not use the new valve assembly with an old cylinder, or vice versa.
 Note: If mixer has a serial number of 1946 or under, complete replacement of internal parts are required

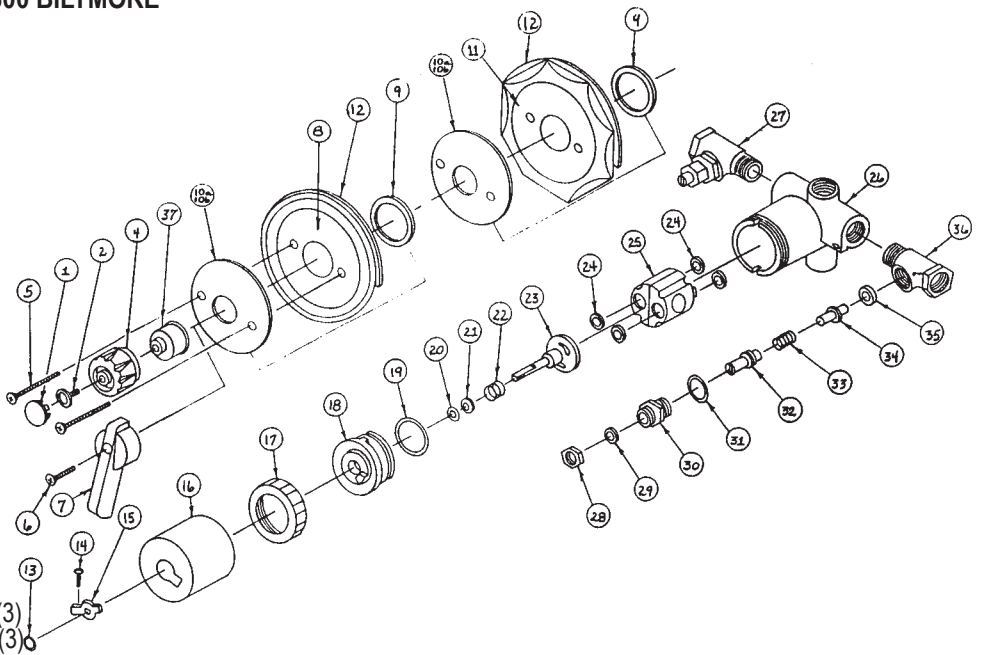


INTERNET INQUIRIES AND ORDERS CALL US TOLL FREE 877-258-2572
www.plumbingspecialties.com

FAUCET REPAIR

POWERS HYDROGUARD SERIES 800 BILTMORE

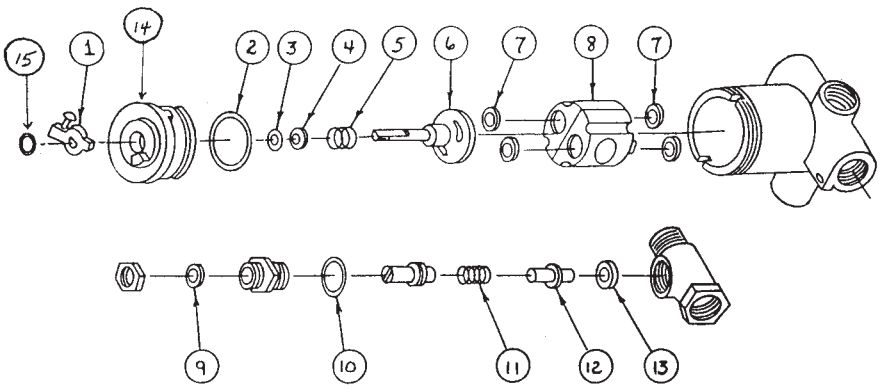
ITEM	PART #	DESCRIPTION
1		Plug button
2	34990150	Screw (8-32x3/4)
4	24000510	Acrylic knob kit
5		Screw (8-32x3)
6		Screw (8-32x5/8)
7	24000512	Lever handle kit
8		Round dial
9		Gasket
10		Insert - hex
11		Insert - round dial
12		Adhesive gasket
13		O-Ring (1) (2) (3)
14		Screw (2) (3)
15		Limit stop (2) (3)
16		Sleeve
17		Bonnet retainer
18		Bonnet
19	41001019	O-Ring (1) (2) (3)
20	41001017	O-Ring (1) (2) (3)
21		Washer (2) (3)
22		Spring (2) (3)
23		Stem assembly (2) (3)
24		Throttle disc (1) (2) (3)
25		Balance cartridge (3)
26		Body
27		Screw or swt check
28		Bonnet nut
29		Bonnet seal (1) (4)
30		Bonnet
31		Bonnet gasket (1) (4)
32		Stem
33		Plunger spring (4)



ITEM	PART #	DESCRIPTION
34		Plunger (4)
35		Plunger disc (1) (4)
36		Body - screw or swt
37		Plastic insert

(1) Soft components kit IMSCO Part # 24000508
 (2) Stem & plate replacement kit IMSCO Part # 24000702
 (3) Internal rebuild kit IMSCO Part # 24000526
 (4) Checkstop rebuild kit IMSCO Part # 24000704

TROUBLE SHOOTING	REPAIR KIT	WHERE USED	KIT CONTAINS
1. Water leak at stem and/or bonnet.	24000508	All models	2,3,7(4),9(2) 10(2),13(2) & 15
2. Flow continues after mixer is turned off	24000702	All models	1,2,3,4,5,6,7(2) 15
3. Flow continues after mixer is turned off	24000526	All models	2,3,4,5,6,7(4) 8,15
4. Handle splines on stem damaged	24000704	All models	9(2),10(2),11(2) 12(2),13(2)
5. Variable or untempered discharge temperature	24000526	All models	2,3,4,5,6,7(4) 8,15
6. Checkstop will not shut-off or allow full flow	24000704	All models	9(2),10(2),11(2) 12(2),13(2)
7. Crossover			

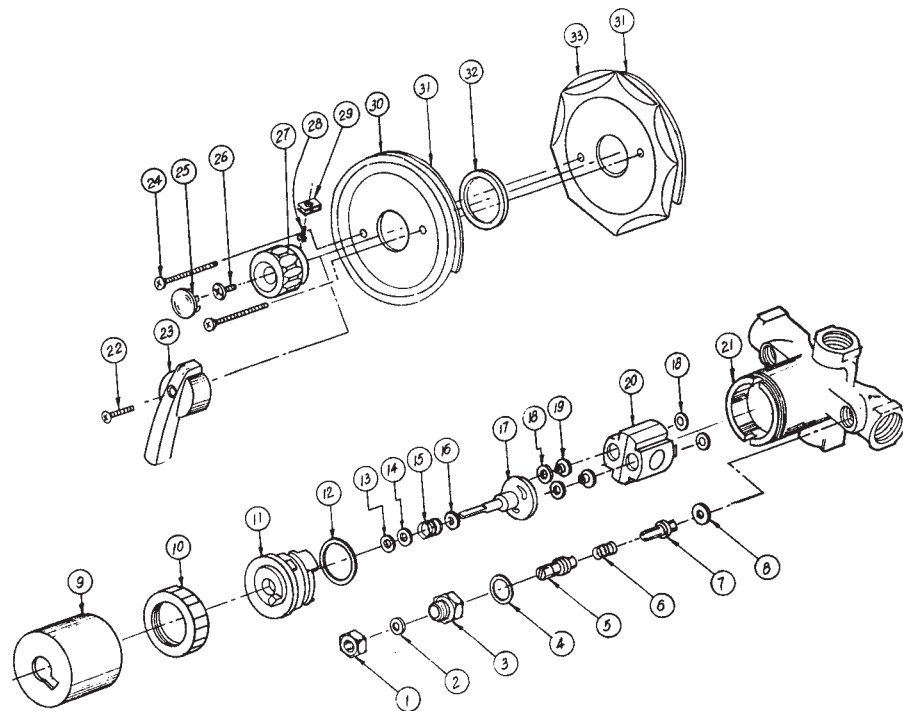


INTERNET INQUIRIES AND ORDERS CALL US TOLL FREE 877-258-2572
www.plumbingspecialties.com

FAUCET REPAIR

POWERS HYDROGUARD SERIES 800 BILTMORE

ITEM	PART #	DESCRIPTION
1		Bonnet nut (3)
2		Bonnet seal (1) (3)
3		Checkstop bonnet (3)
4		Bonnet o-ring (1) (3)
5		Stem (3)
6		Plunger spring (3)
7		Plunger (3)
8		Plunger disc (1) (3)
9		Sleeve
10		Bonnet retainer
11		Mixer bonnet (2)
12	41001019	O-Ring (1) (2)
13	41001017	O-Ring (1) (2)
14		Washer (2)
15		Spring (2)
16		Washer (2)
17		Throttling stem (2)
18		Throttle disc (1) (2)
19		Restrictor (2)
20		Balance chamber (2)
21		Body -thread or swt.
22		Screw (8-32x5/8)
23	24000536	Lever handle kit
24		Screw (8-32x3)
25		Plug button
26	34990150	Screw
27	24000534	Acrylic knob kit
28		Screw (6-32x1/2)
29		Limit adjustment
30		Round dial plate
31		Adhesive gasket
32		Gasket
33		Octagon dial plate

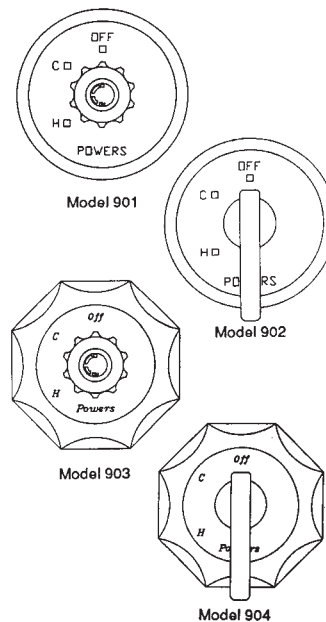
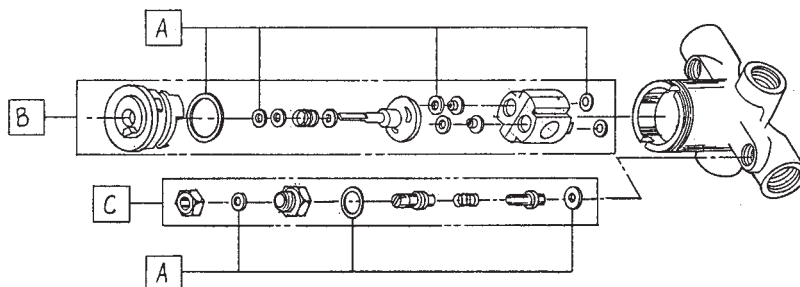


MODEL IDENTIFICATION		
1	A	26
Model	Year	Week

Located on mylar label adhered to bonnet nut

- (1) Gasket & disc replacement kit IMSCO Part #24000528
- (2) Valve repair kit for Series 900-031 model 2 IMSCO Part #24000530
Valve repair kit for Series 900-031A model 1 IMSCO Part #24000532
- (3) Checkstop repair kit IMSCO Part #24000704

TROUBLE SHOOTING	REPAIR KIT	WHERE USED	KIT CONTAINS
1. Water leaks at stem and/or bonnet. 2. Water leaks at valve shut-off 3. Water leaks at checkstop	24000528	900-030 Models 1 & 2	All items marked A
4. With mixer in MID position, HW flows with CW checkstop closed or CW flows with HW checkstop closed	24000530 24000532	900-031, Model 2 900-031A, Model 1	All items marked B All items marked B
6. Checkstop will not shut-off or allow full flow	24000704	900-049 Model 1 & 2	All items marked C



INTERNET INQUIRIES AND ORDERS CALL US TOLL FREE 877-258-2572
www.plumbingspecialties.com

FAUCET REPAIR

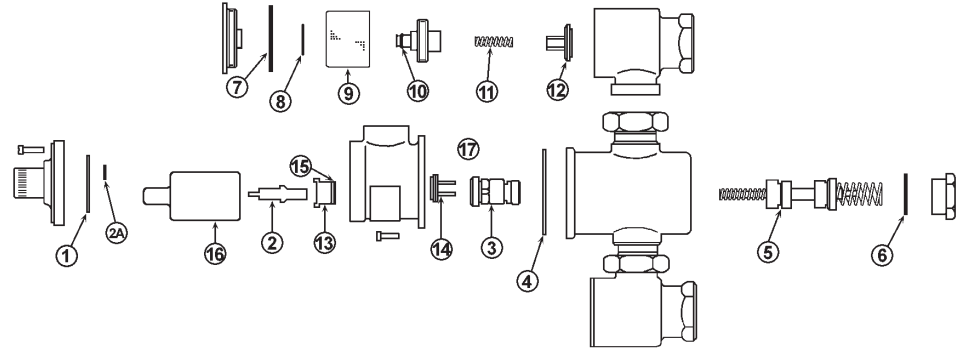
REPAIR KITS FOR HYDROGUARD 430 SERIES VALVES



PART DESCRIPTION	REPAIR KIT INCLUDES	MODEL 431	MODEL 432	MODEL 433	MODEL 434
Thermal actuator	1, 2, 4, 13 & 15	24009037	24009036	24009065	24009066
Strainer replacement	7, 8, 9, & 10	24000176	24000176	24000176	24000176
Checkstop replacement	7, 8, 10, 11, & 12	24000178	24000178	24000182	24000182
Gasket & Disc replacement	1, 2A, 4, 6, 7, 8, 10, & 12	24000201	24000208	24000214	24000222
Mixing valve replacement	3, 4, 5, & 6	24000206	24009068	24009069	24009070
Upgrade kits for older valves	1, 2, 2A, 4, 13-17	24000202	24000212	24000216	24000224
Shipped prior to 1/1/2001					

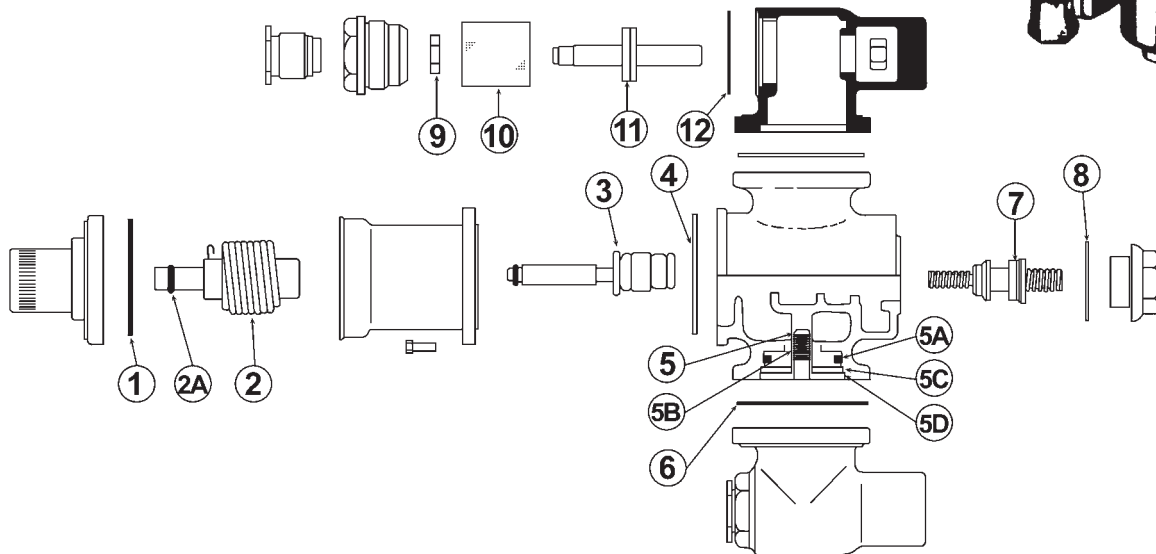
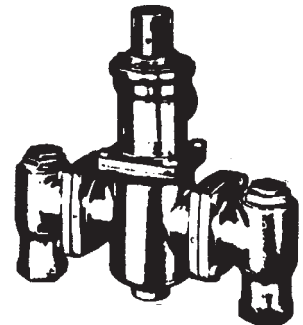
ITEM DESCRIPTION

- 1 Gasket
- 2 Actuator
- 2A O-ring
- 3 Hot water poppet and overload assembly
- 4 O-ring
- 5 Cold water poppet and Motor failure spring assembly
- 6 O-ring
- 7 O-ring
- 8 Gasket
- 9 Screen
- 10 O-ring
- 11 Spring
- 12 Poppet assembly



REPAIR KITS FOR HYDROGUARD 430 "N" SERIES VALVES

KIT	MODEL N-45	MODEL N-125
Upgrade Kit	24000212	24000224
See 430 Series drawing: includes items 1, 2, 2A, 4, 13-17		



INTERNET INQUIRIES AND ORDERS CALL US TOLL FREE 877-258-2572
www.plumbingspecialties.com